

4232LT

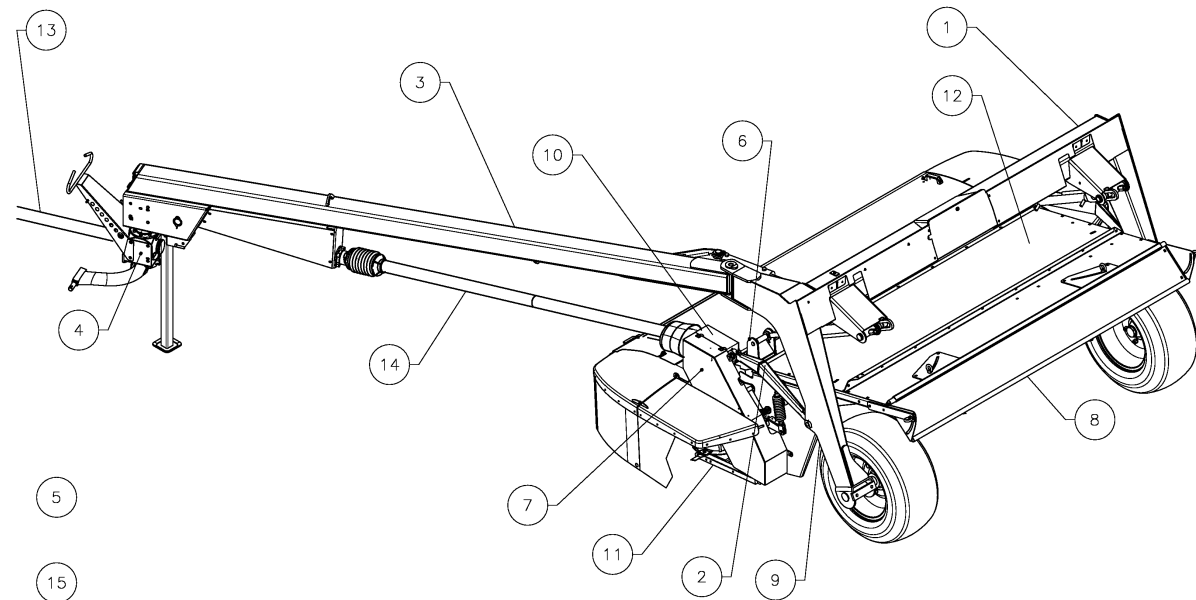
Spare Parts Manual

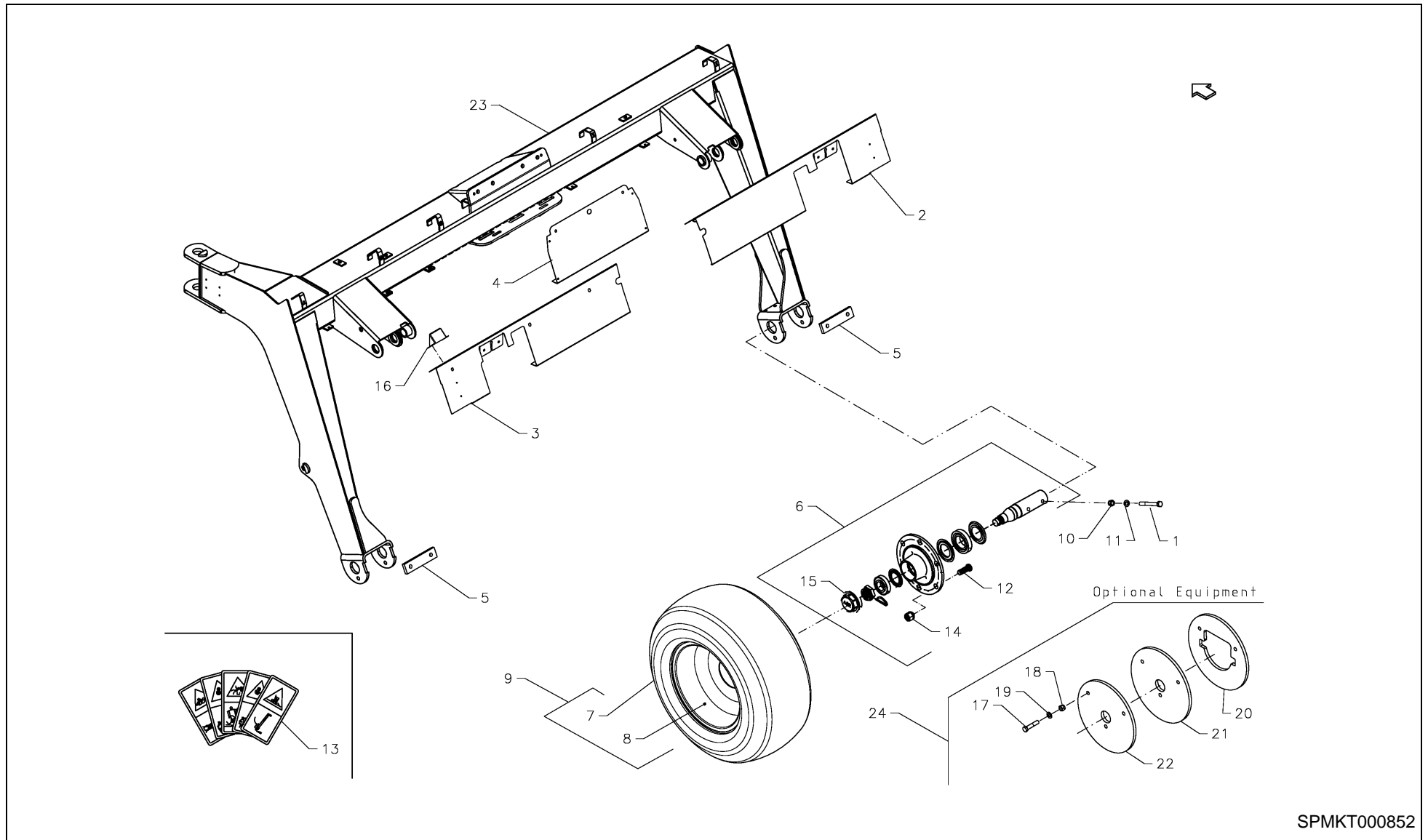
Article number:	90000153 Index 119-06
Language:	EN
Production year (from):	2008
Serial No. (from)	408.403 < Mach. ID <=

4232LT / Table of Contents



PosNo.	Assembly group	Page
1	PRIMARY FRAME, WHEEL	1
1	LIGHTING KIT	23
2	CONNECTING ARM	2
2	SPRING, HYDRAULIC CYLINDER	3
3	DRAWBAR	4
4	SWIVEL GEAR, COMPLETE	5
5	HYDRAULIC	6
5	HYDRAULIC, DRAWBAR	7
6	SECONDARY FRAME	8
7	TRANSMISSION	9
8	CONDITIONER PLATE	10
9	ROTOR	11
10	MAIN GEAR BOX	12
11	CUTTERBAR	13
11	TRANSMISSION, CUTTERBAR	14
11	TRANSMISSION, CUTTERBAR + PROFIT	15
11	CUTTERBAR	16
12	GUARD	17
12	GUARD	18
12	REAR END & DEFLECTOR PLATE	19
13	PTO SHAFT	20
14	PTO SHAFT	21
14	FRICTION CLUTCH	22
15	OPTIONAL EQUIPMENT	24
15	OPTIONAL EQUIPMENT	25
15	OPTIONAL EQUIPMENT	26
15	OPTIONAL EQUIPMENT	27





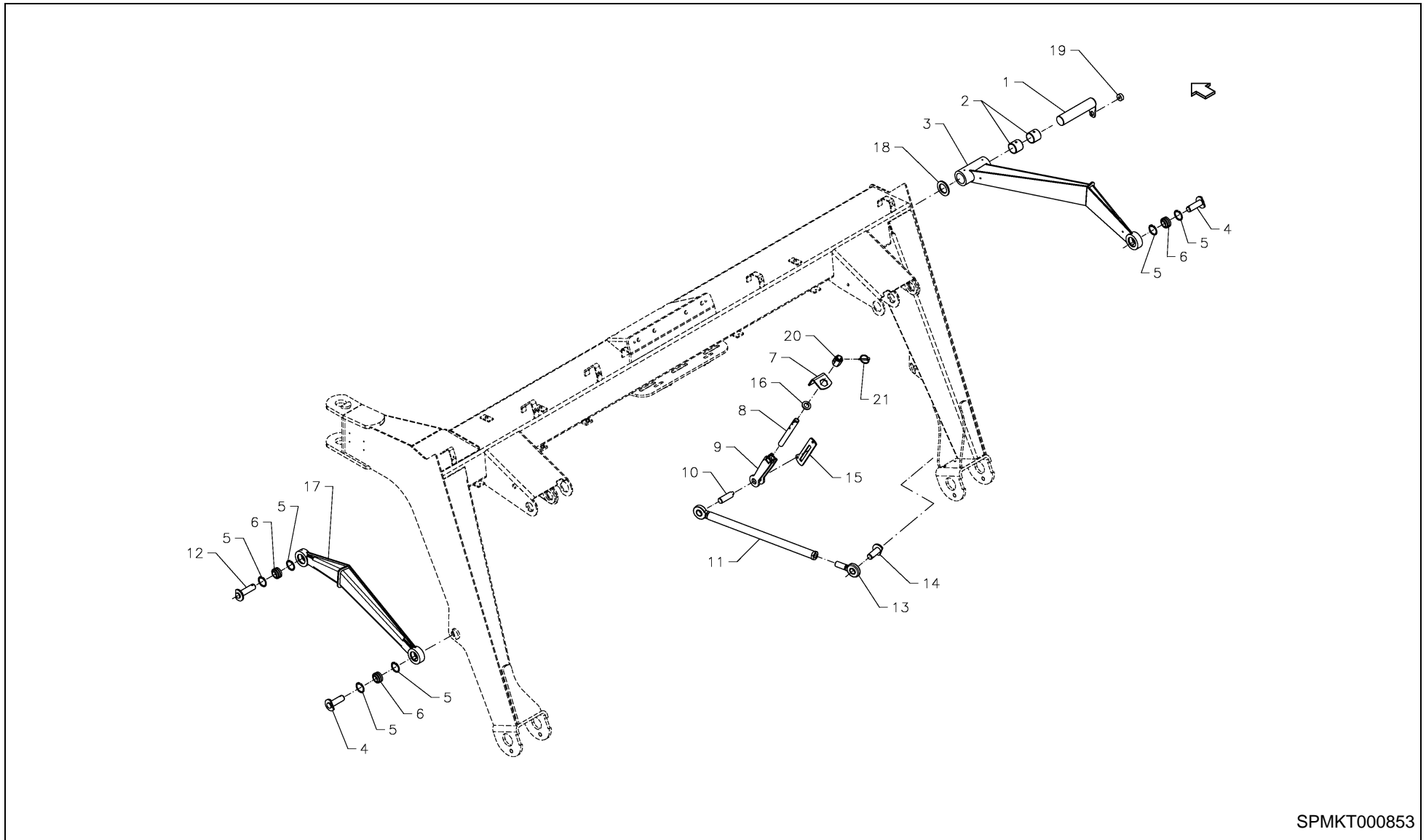
SPMKT000852

4232LT / Primary frame, wheel



PosNo.	Part No.	Qty.	Description	Remark
1	KG00363161	4	HEX. BOLT M16X140 8.8	
2	KT9052700094	1	GUARD, RH	
3	KT9053400094	1	GUARD, LH	
4	KT9052900094	1	GUARD, CENTER	
5	KT9040200061	2	BRACKET	
5	KT90402000	2	CONSOLE	
6	KT99434056	2	HUB, COMPLETE	
7	KT99432375	2	TYRE 15.00-17	
8	KT99432066	2	RIM 15.00-17	
9	KT26422000	2	WHEEL COMPLETE 380/55-17	
10	KG01064461	4	LOCK NUT M16 8	
11	KG01267761	4	WASHER M16	
12	KT99434601	1	STUD	
13	KT90186000	1	SAFETY DECALS SET	
14	KT99434602	6	NUT	
15	KT99434603	1	COVER	
16	KT9040100094	1	BRACKET	
17	KG00362561	3	HEX. BOLT M16X80 8.8	
18	KG01064461	3	LOCK NUT M16 8	
19	KG01267761	3	WASHER M16	
20	KT9093700086	1	COUNTER BALANCE BLOCK	
21	KT9093800086	1	COUNTER BALANCE BLOCK	
22	KT9093900086	1	COUNTER BALANCE BLOCK	
23	KT9039110094	1	PRIMARY FRAME	
24	ACCESSOIRE	1	PLEASE CONTACT YOUR DEALER	

4232LT / Connecting arm

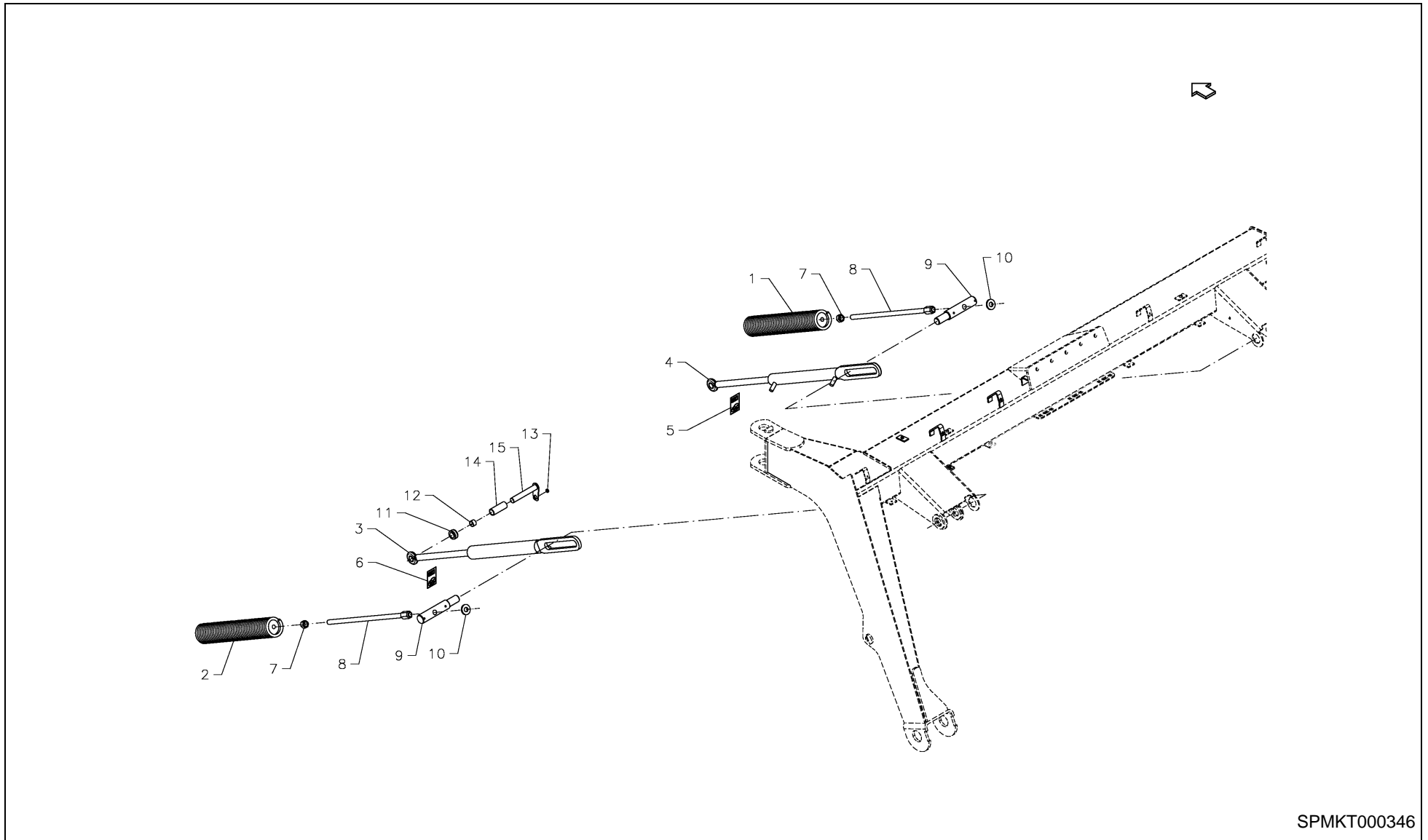


SPMKT000853

4232LT / Connecting arm



PosNo.	Part No.	Qty.	Description	Remark
1	KT9046520061	1	PIN BOLT Ø 45	
2	KT99158088	2	GLACIER BUSHING PM 4545 DX	
3	KT9047900094	1	ARM, RH	
4	KT9036100061	2	PIN BOLT	
5	KG01128700	6	CIRCLIP-B 47 X 1.75	
6	KT99160045	3	BEARING Ø 25 GE25FO 2RS	
7	KT9087800061	1	BRACKET	
8	KT9047300061	1	SPINDLE	
9	KT9048200061	1	BRACKET	
10	KT9057700061	1	BOLT	
11	KT9048300094	1	ARM	
12	KT9047200061	1	PIN BOLT	
13	KT99160047	1	BEARING Ø 25 GAR25UK	
14	KT9036200061	1	PIN BOLT	
15	KT9057800061	1	PLATE	
16	KT9129700061	1	WASHER	
17	KT9048000094	1	ARM, LH	
18	KT9094100061	1	WASHER Ø45,5/Ø75 - 5	
19	KT9143600061	1	WASHER	
20	KT9089700061	1	NUT	
21	KT99331901	1	LINCH PIN Ø 6	

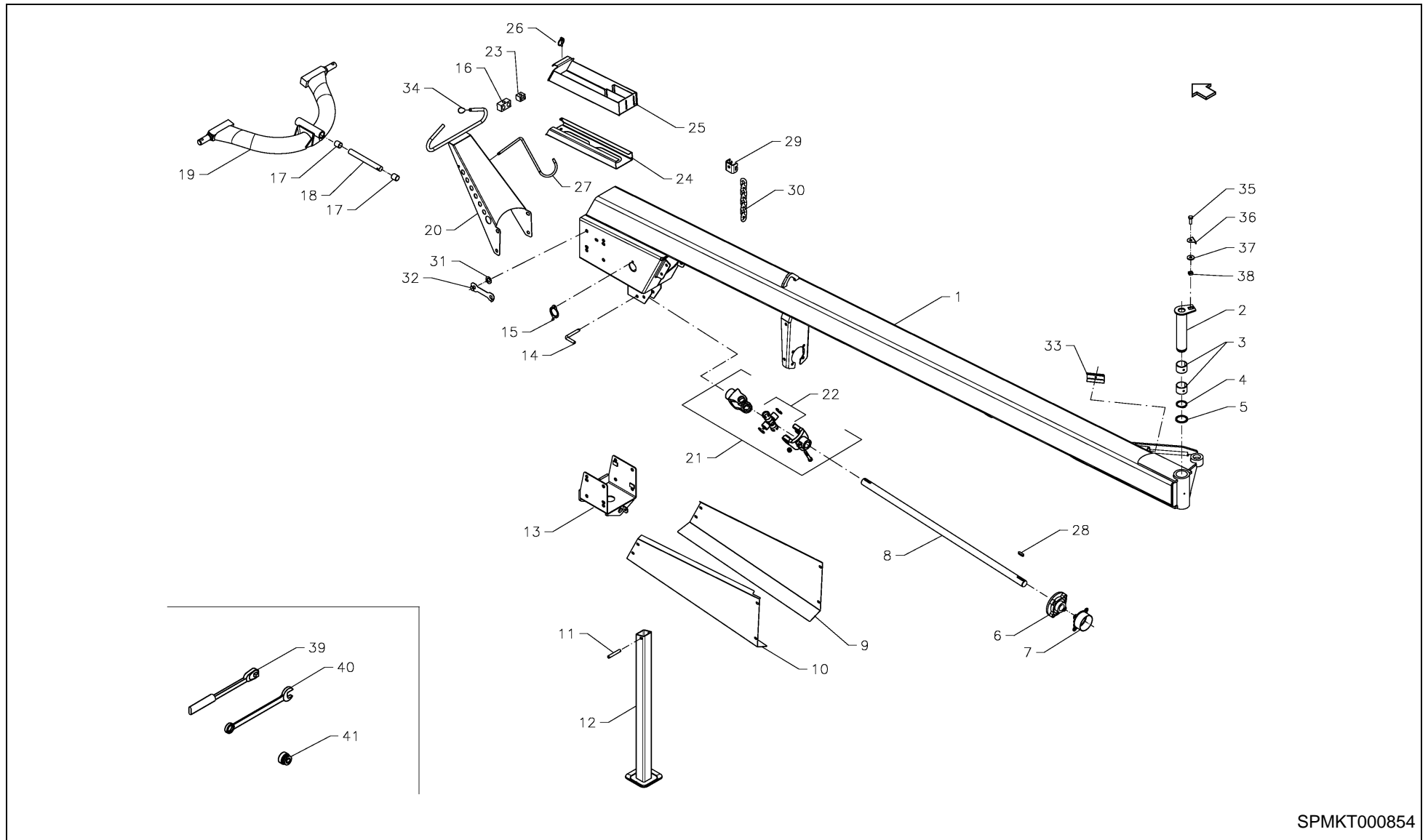


SPMKT000346

4232LT / Spring, hydraulic cylinder



PosNo.	Part No.	Qty.	Description	Remark
1	KT9073000064	1	SPRING N=46 - Ø14 MM	
2	KT9072300064	1	SPRING N=42 - Ø15 MM	
3	KT9050010097	1	HYDRAULIC CYLINDER	
4	KT9049910097	1	HYDRAULIC CYLINDER	
5	KT99413147	1	GASKET KIT	
6	KT99413148	1	GASKET KIT	
7	KG01052661	2	HEX. NUT M22 8	
8	KT9051410061	2	SPINDLE	
9	KT9036300061	2	SHAFT	
10	KT68312000	2	WASHER (DISC)	
11	KT6244500061	2	BEARING	
12	KT99158065	2	GLACIER BUSHING PM 2520 DX	
13	KT3130700061	2	RING	
14	KT9046700061	2	SPACER	
15	KT9046610061	2	PIN BOLT Ø25	

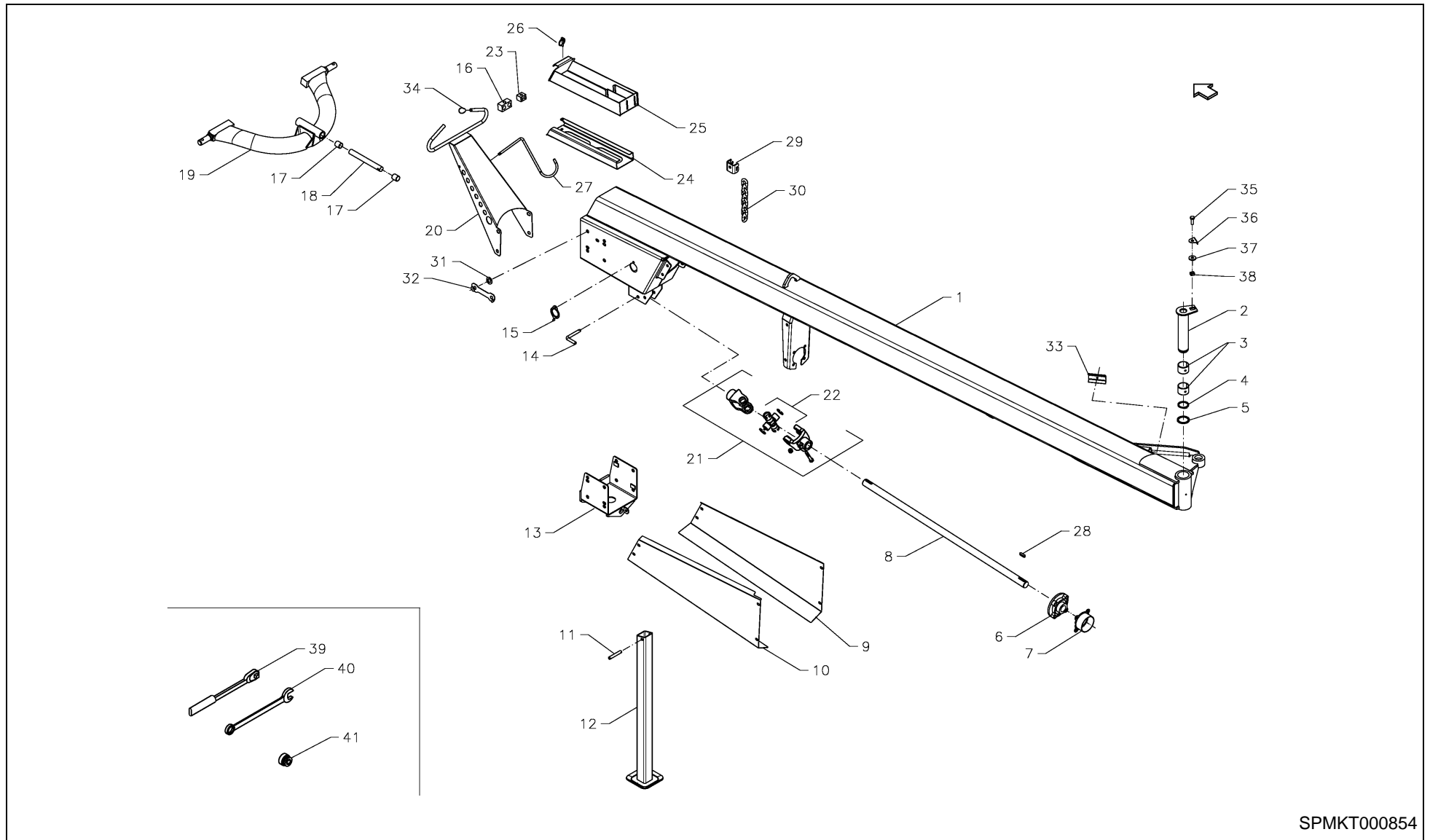


SPMKT000854

4232LT / DRAWBAR



PosNo.	Part No.	Qty.	Description	Remark
1	KT9033100094	1	DRAWBAR	
2	KT9150200061	1	SHAFT	
3	KT99158090	2	GLACIER BUSHING PM 5040 DX	
4	KG01110400	1	CIRCLIP-A 50 X 2	
5	KT99350537	1	SEEGER SUPPORT DISC SS50-62-3	
6	KT99125012	1	FLANGE BEARING Ø35	
7	KT9057600061	1	BRACKET	
8	KT9033200001	1	SHAFT	
9	KT9033300094	1	GUARD, RH	
10	KT9033400094	1	GUARD, LH	
11	KT6056800061	1	COTTER BOLT	
12	KT3877810094	1	SUPPORT LEG	
13	KT9032500094	1	BRACKET	
14	KT3626300061	1	PIN BOLT	
15	KT2844700061	1	COVER	
16	KT99408930	1	PIPE CLIP, DOUBLE Ø12-Ø12	
17	KT99158066	2	GLACIER BUSHING PM 2530 DX	
18	KT3877610061	1	SHAFT	
19	KT3877520094	1	THREAD ROD	
20	KT9074820094	1	BRACKET	
21	KT99244485	1	UNIVERSAL JOINT, COMPLETE	
22	KT99244498	1	CROSS, COMPLETE	
23	KT99408939	1	DOUBLE CLAMP 20-20	
24	KT9074600094	1	BRACKET	
25	KT9074700094	1	TOOL BOX	
26	KT99331901	1	LINCH PIN Ø 6	
27	KT9074900061	1	HOOK	
28	KG01309000	2	KEY 10X8X45	
29	KT9088100061	1	BRACKET	
30	KT9089900061	1	CHAIN FOR GUARD (750 MM.)	
31	KT99333835	8	LOCK WASHER 17-30,7 ST NORDLOCK	
32	KT9117700061	4	LOCK PLATE	
33	KT9117600061	1	FIXTURE	
34	KT99458179	2	PLASTIC PLUG	
35	KG00476661	1	HEX. SCREW M12X35 8.8	
36	KT9150000061	1	LOCK PLATE	
37	KT59447000	1	WASHER	
38	KT9150100061	1	CHIP	
39	KT99458248	1	COMBINATION WRENCH 32MM	
40	KT99458246	1	SOCKET WRENCH 1/2"	



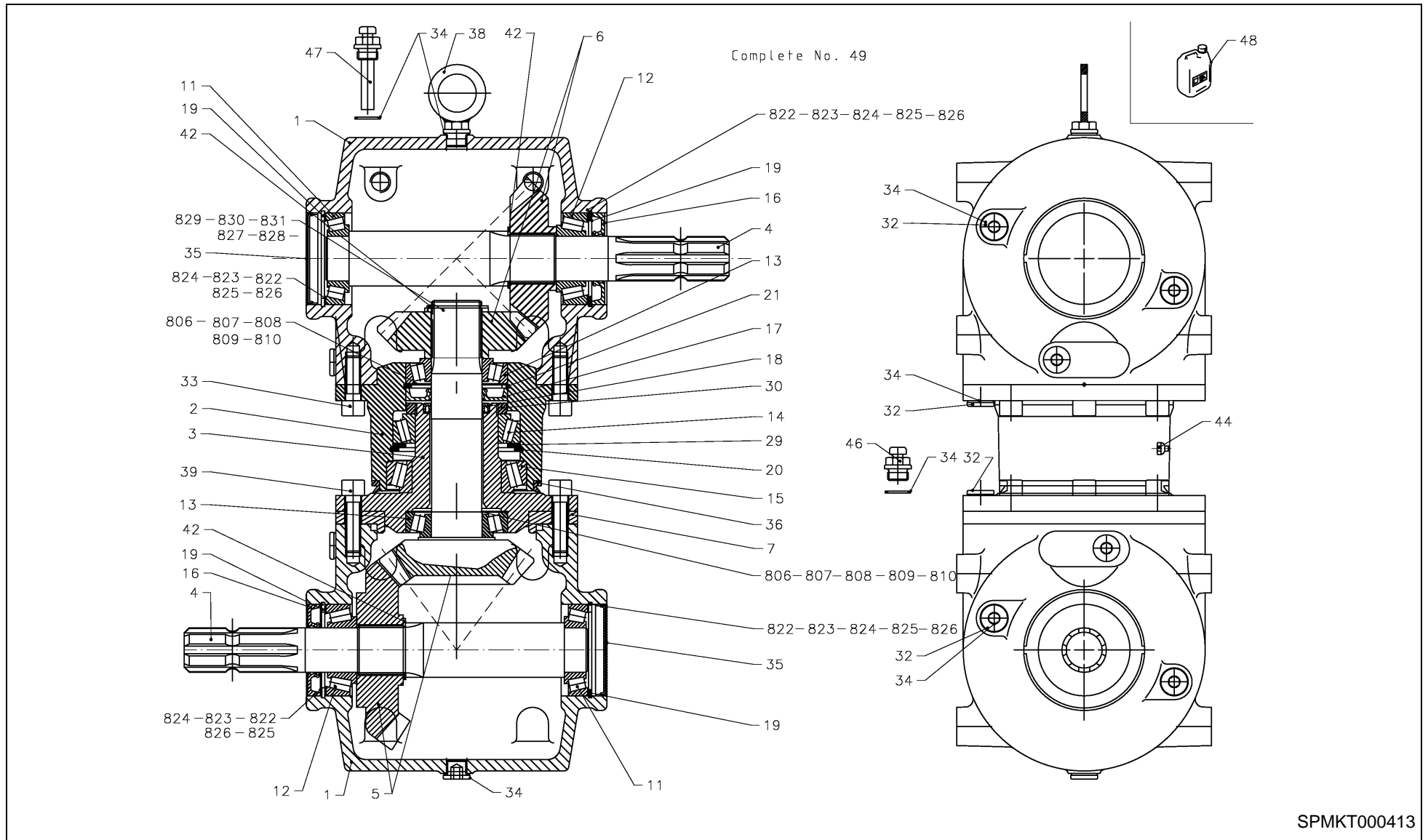
SPMKT000854

4232LT / DRAWBAR



PosNo.	Part No.	Qty.	Description	Remark
41	KT99458247	1	SOCKET 1/2" 32MM	

4232LT / Swivel gear, complete

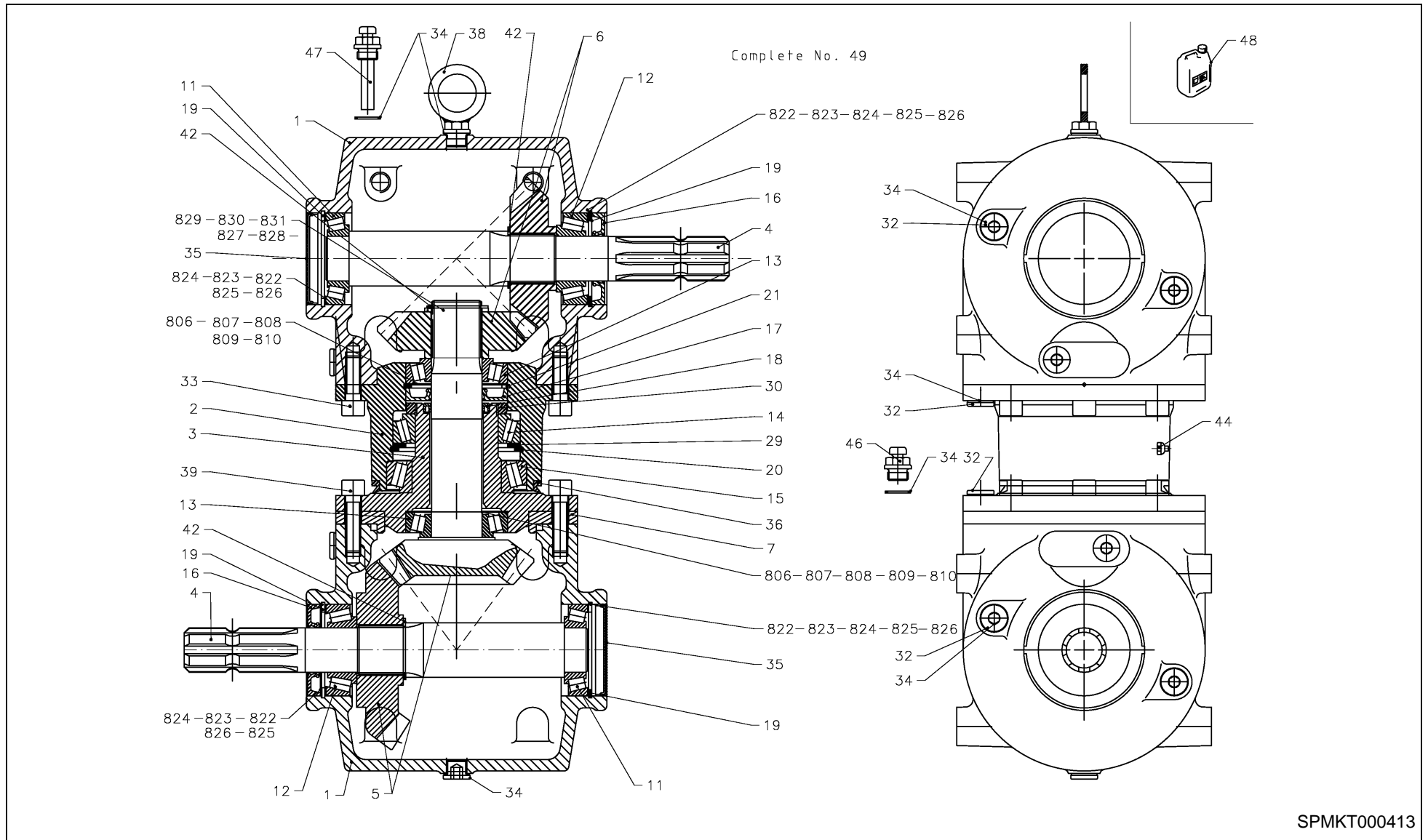


SPMKT000413

4232LT / Swivel gear, complete

PosNo.	Part No.	Qty.	Description	Remark
1	KT99255100	2	GEAR BOX CASING	
2	KT99255101	1	GEAR BOX CASING	
3	KT99255102	1	GEAR BOX CASING	
4	KT99255103	2	SHAFT	
5	KT99255104	1	GEAR WHEEL SET	
6	KT99255105	1	GEAR WHEEL SET	
7	KT99255106	1	SPACER	
11	KT99255107	2	ROLLER BEARING 30207A	
12	KT99255108	2	ROLLER BEARING 32207A	
13	KT99255109	2	ROLLER BEARING 32207A	
14	KT99255110	1	ROLLER BEARING 32013 XA	
15	KT99255111	2	ROLLER BEARING 32014 XA	
16	KT99255112	2	SEALING RING Ø35XØ72X10	
17	KT99255113	1	SEALING RING Ø40XØ80X10	
18	KT99255114	1	SEALING RING Ø40XØ52X7	
19	KT99255115	4	CIRCLIP Ø72X2,5	
20	KT99255116	2	CIRCLIP Ø100X3,0	
21	KT99255117	1	CIRCLIP Ø80X2,5	
29	KT99255118	1	SPACER Ø90XØ100X3,5	
30	KT99255119	1	SLOTTED ROUND NUT M65X2	
32	KT99255120	8	PLUG	
33	KT99255121	6	HEX. SOCKET HEAD CAP SCREW M12X35	
34	KT99255122	12	SEALING RING Ø16XØ20	
35	KT99255123	2	CAP Ø72X9	
36	KT99255124	1	SEALING RING	
38	KT99255125	1	BOLT	
39	KT99255126	6	HEX. SOCKET HEAD CAP SCREW M12X45	
42	KT99255127	3	CIRCLIP Ø39X1,75	
44	KT99255128	1	GREASE NIPPLE	
46	KT99255129	1	VALVE	
47	KT99255229	1	VALVE	
48	KT10101000	1	OIL CAN 1 LTR.	
49	KT99255001	1	SWIVEL GEAR, COMPLETE	
806	KT99255131	2	SHIM Ø72XØ80X0,15	
807	KT99255132	2	SHIM Ø72XØ80X0,1	
808	KT99255133	2	SHIM Ø72X0,80X0,3	
809	KT99255134	2	SHIM Ø72XØ80X0,5	
810	KT99255135	2	SHIM Ø72XØ80X1,0	
822	KT99255136	4	SHIM Ø62XØ72X0,15	
823	KT99255137	4	SHIM Ø62XØ72X0,1	

4232LT / Swivel gear, complete

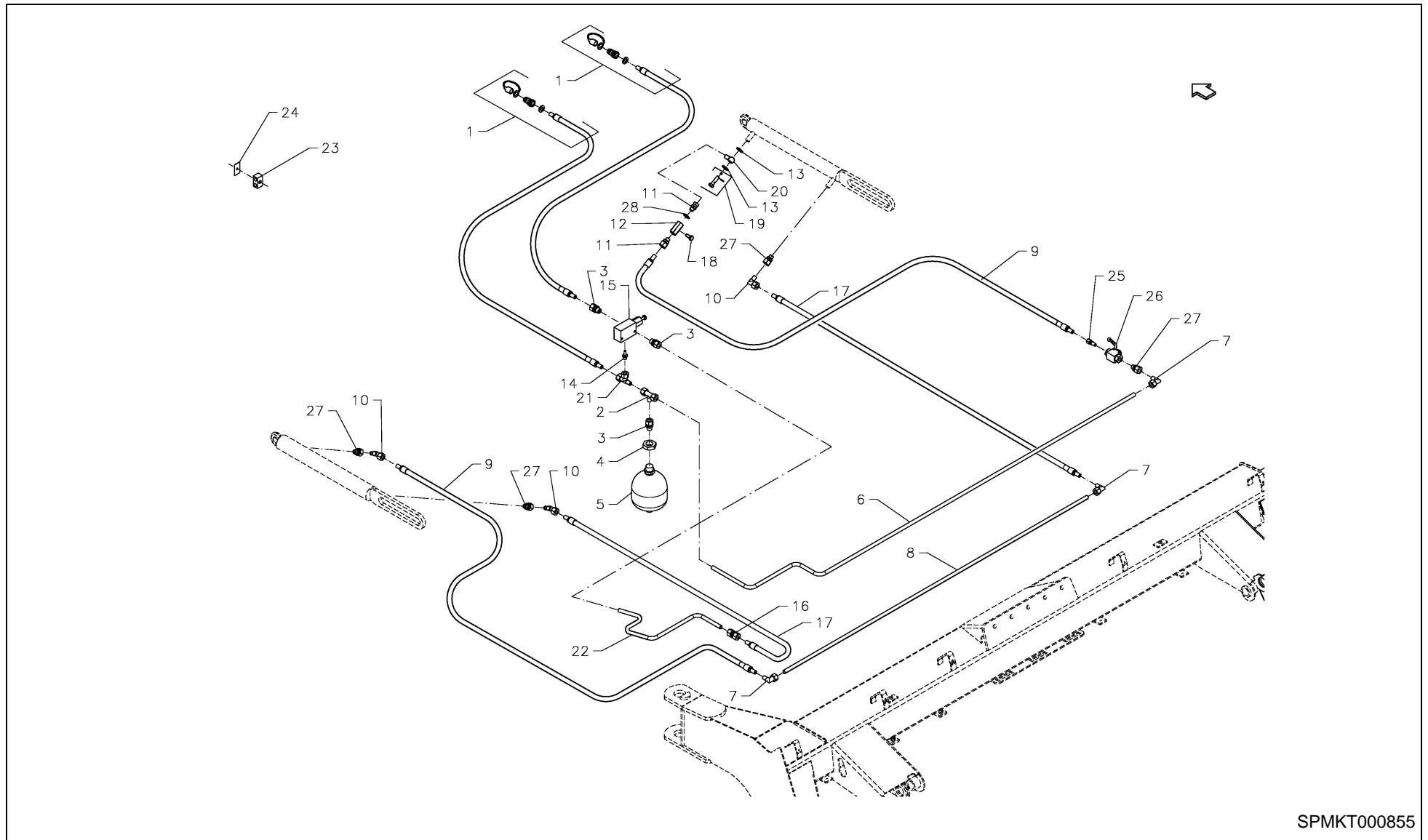


SPMKT000413

4232LT / Swivel gear, complete



PosNo.	Part No.	Qty.	Description	Remark
824	KT99255138	4	SHIM Ø62XØ72X0,3	
825	KT99255139	4	SHIM Ø62XØ72X0,5	
826	KT99255140	2	SHIM Ø62XØ72X1,0	
827	KT99255141	2	SHIM Ø40XØ50X2,0	
828	KT99255142	1	SHIM Ø40XØ50X0,5	
829	KT99255143	1	SHIM Ø40XØ50X0,3	
830	KT99255144	1	SHIM Ø40XØ50X0,1	
831	KT99255145	1	SHIM Ø40XØ50X0,15	

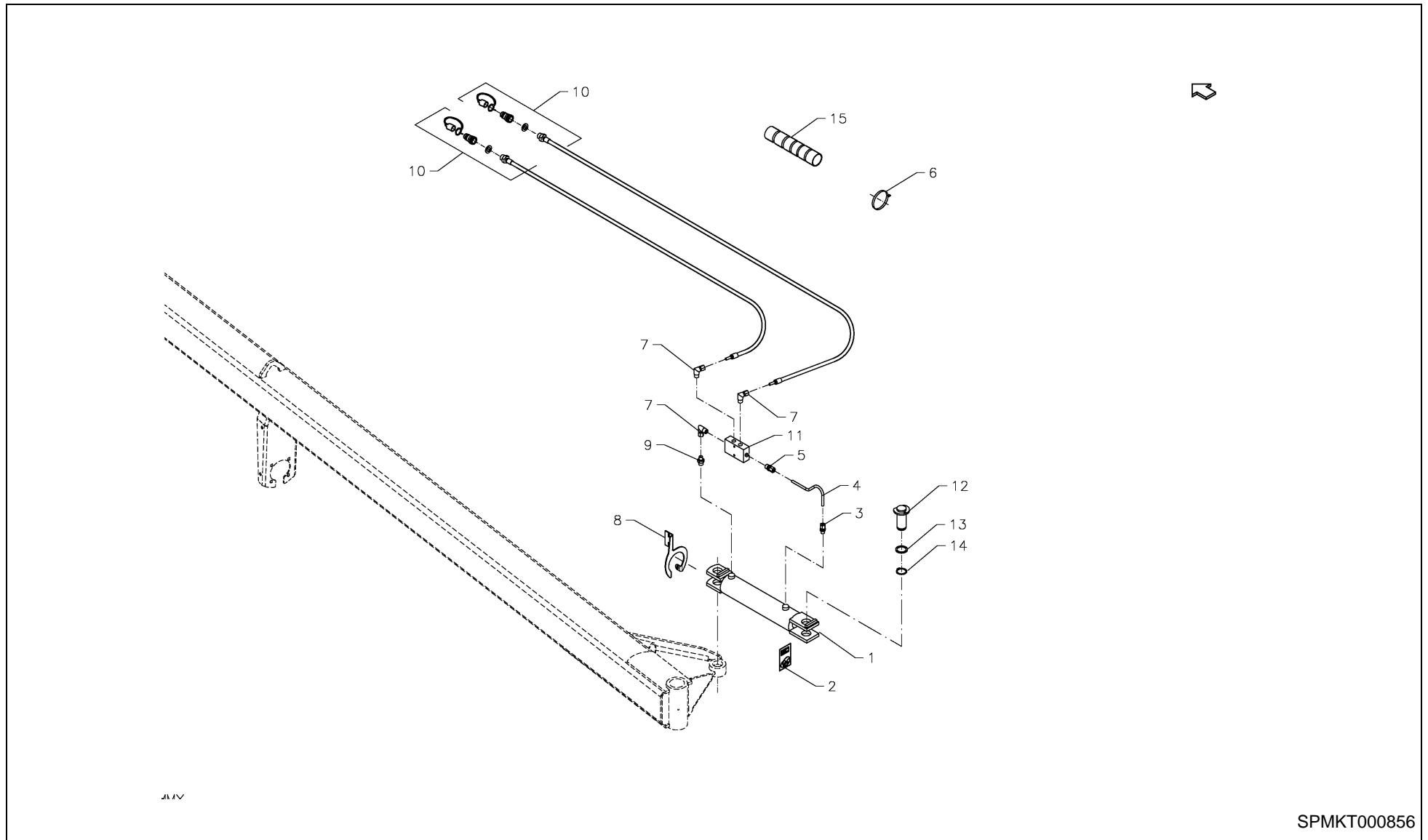


SPMKT000855

4232LT / Hydraulic



PosNo.	Part No.	Qty.	Description	Remark
1	KT90667000	2	HYDRAULIC HOSE L= 6370 MM	
2	KT99404242	1	ADJUSTABLE T-CONNECTION Ø15	
3	KT99402113	3	SCREWED CONNECTION Ø15-1/2"	
4	KT99307775	1	COUNTER NUT M33 X 1,5	
5	KT99408914	1	ACCUMULATOR 0,75 LTR.	
6	KT90686000	1	HYDRAULIC PIPE L= 2440 MM	
7	KT99403015	3	ANGLE SCREW CAP Ø 15	
8	KT90656000	1	HYDRAULIC PIPE L= 1810 MM	
9	KT90654000	2	HYDRAULIC HOSE L= 1170 MM	
10	KT99403211	3	ANGLE SCREW-JOINT Ø15-3/8"	
11	KT99402921	2	ADAPTOR 3/8" BSP - 3/8" BSP	
12	KT9065800061	1	STRAIGHT CONNECTION	
13	KT99428522	2	COPPER DISC	
14	KT99402914	1	PIPE SOCKET	
15	KT99407540	1	PRESSURE COMPENSATOR VALVE DINOIL VPDB1	
16	KT99402007	1	STRAIGHT SCREW-JOINT	
17	KT90655000	2	HYDRAULIC HOSE L= 690 MM	
18	KT99458103	1	1/2 RG PIPE PLUG	
19	KT67602000	1	BANJO BOLT, COMPLETE	
20	KT99402941	1	BANJO CONNECTION	
21	KT99404018	1	L-SCREW JOINT Ø 15	
22	KT90688100	1	HYDRAULIC PIPE L= 682 MM	
23	KT99408934	10	DOUBLE PIPE HOLDER	
24	KT99408943	7	TOP PLATE FOR DOUBLE PIPE CLIP	
25	KT99402922	1	TUBE CONNECTION Ø15-3/8"	
26	KT99407410	1	BLOCK BALL VALVE 3/8	
27	KT99402114	4	SCREWED CONNECTION Ø15-3/8"	
28	KD0300863	1	3/8 BSP DOWTY WASHER LD	

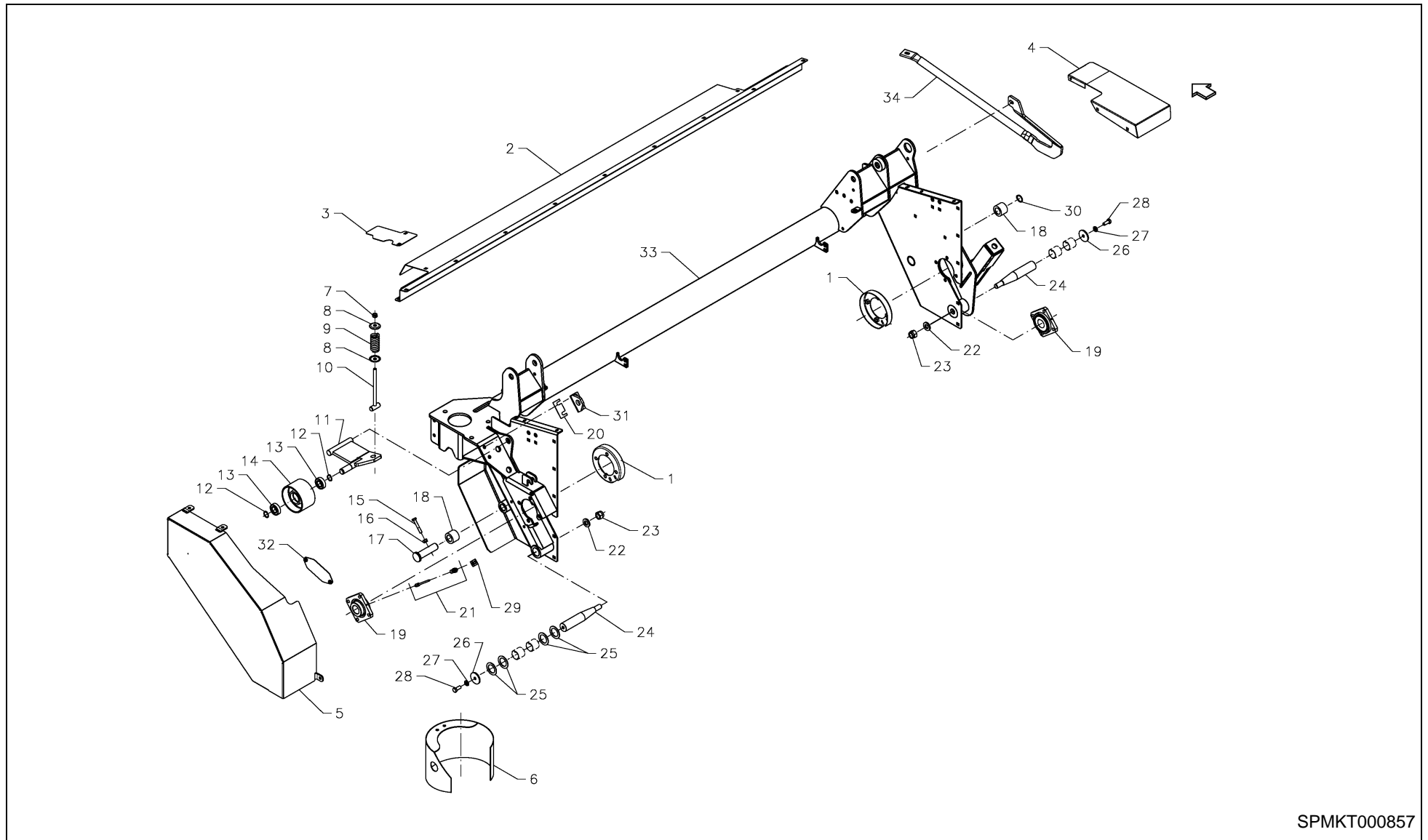


4232LT / Hydraulic, drawbar



PosNo.	Part No.	Qty.	Description	Remark
1	KT9040300097	1	HYDRAULIC CYLINDER	
2	KT99413144	1	GASKET KIT	
3	KT99402112	1	STRAIGHT SCREWED CONNECTOR D8L-T76	
4	KT91503000	1	HYDRAULIC PIPE L=242MM	
5	KT99402119	1	SCREWED CONNECTION	
6	KT99352042	3	HOSE BAND Ø44/Ø56	
7	KT99403221	3	ELBOW CONNECTION Ø8 - 3/8"	
8	KT9149800061	1	BRACKET FOR VALVE	
9	KT99402911	1	CYLINDRICAL SCREWED CONNECTOR Ø8- 1/4"	
10	KT90677000	4	HYDRAULIC HOSE L= 6120 MM	
11	KT99407008	1	DOUBLE PILOT-OPERATED CHECK VALVE	
12	KT9051210061	2	COTTER BOLT	
13	KT56227000	2	SUPPORTING DISC	
14	KG01109300	2	CIRCLIP-A 35 X 1.5	
15	KT79459000	2	FLEXIBLE COVER L=750 MM.	

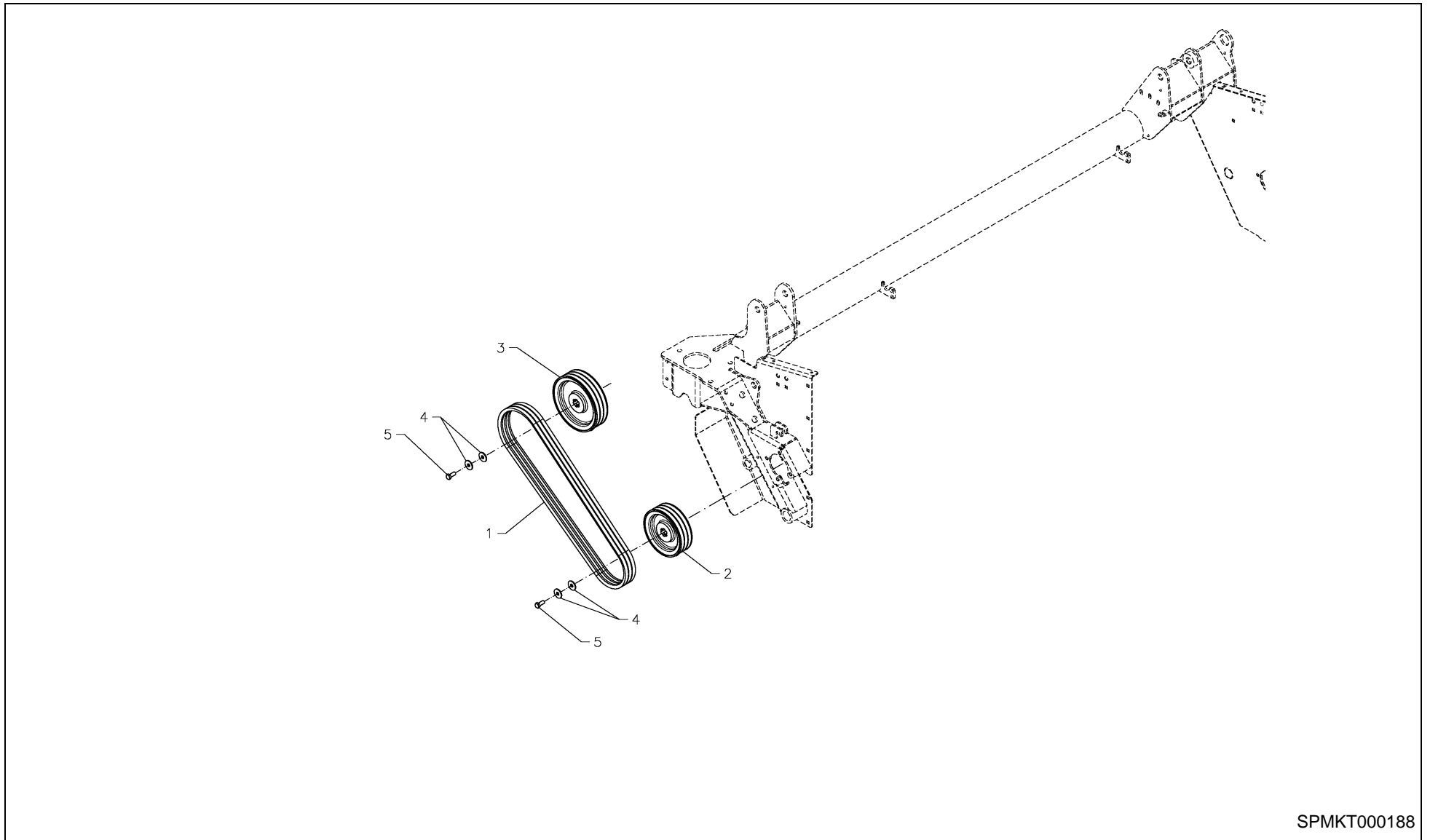
4232LT / Secondary frame



SPMKT000857

4232LT / Secondary frame

PosNo.	Part No.	Qty.	Description	Remark
1	KT9034510061	2	GUARD	
2	KT9048700094	1	PLATE	
3	KT9047100094	1	PLATE	
4	KT9038210094	1	GUARD	
5	KT9034400094	1	GUARD	
6	KT9081010094	1	GUARD LH	
7	KG01064261	1	LOCK NUT M12 8	
8	KT9063000061	2	WASHER	
9	KT4837700061	1	SPRING	
10	KT9053600061	1	SPINDLE	
11	KT9034910086	1	CONSOLE	
12	KG01108300	2	OUTER RETAINING RING-A 25 X 1.2	
13	KG01378900	2	BALL BEARING 6205-2RS	
14	KT6245600001	1	JOCKEY ROLLER	
15	KG00355761	1	HEX. BOLT M10X65 8.8	
16	KG01064161	1	LOCK NUT M10 8	
17	KT9035200061	1	SHAFT	
18	KT9035300061	2	SPACER	
19	KT9085300097	2	BEARING, COMPLETE	
20	KT9078900061	4	SHIM	
21	KT69540000	1	NYLON PIPE 6X3 MM, L = 365 MM	
22	KT58824000	2	WASHER	
22	KT5882400061	2	WASHER	
23	KG01064661	2	LOCK NUT M20 8	
24	KT9046900061	2	SHAFT	
25	KT9079000061	4	SPACER	
26	KT5874000061	2	WASHER	
27	KG01267561	2	WASHER M12	
28	KG00476561	2	HEX. SCREW M12X30 8.8	
29	KT6953600061	1	BRACKET	
30	KG01108800	1	CIRCLIP-A 30 X 1.5	
31	KT9053510061	1	BRACKET	
32	KT9127600061	1	COVER PLATE	
33	KT9037420094	1	SECONDARY FRAME	
34	KT9117810086	1	STRAW DIVIDER	

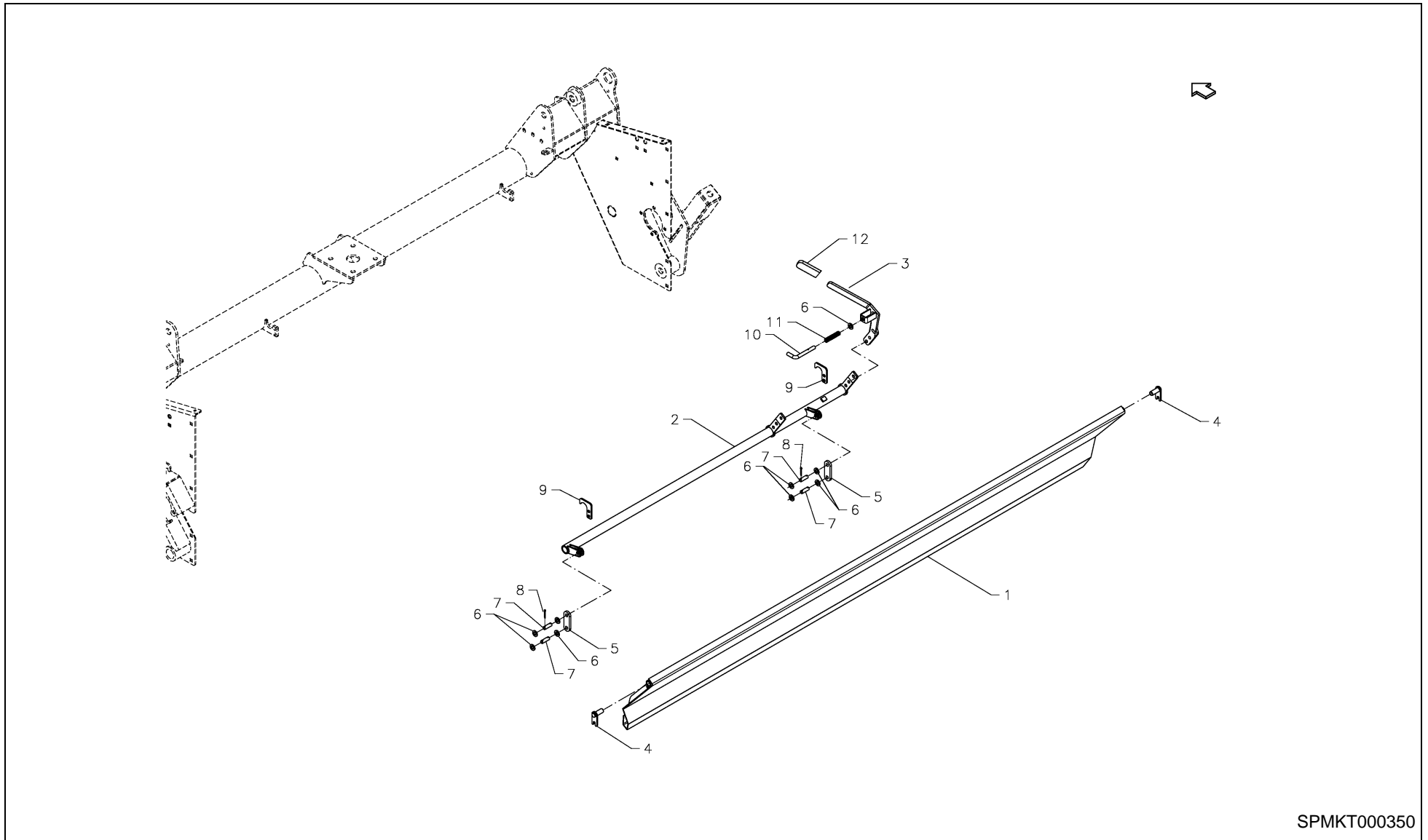


SPMKT000188

4232LT / Transmission



PosNo.	Part No.	Qty.	Description	Remark
1	KT99202435	1	SET OF V-BELTS LW 1860 (SET = 3 PCS.)	
2	KT6828400001	1	V-BELT PULLEY 3 SPB Ø190 MM	
3	KT6828300001	1	V-BELT PULLEY 3 SPB Ø225 MM	
4	KT5567000001	4	WASHER	
5	KG00476561	2	HEX. SCREW M12X30 8.8	

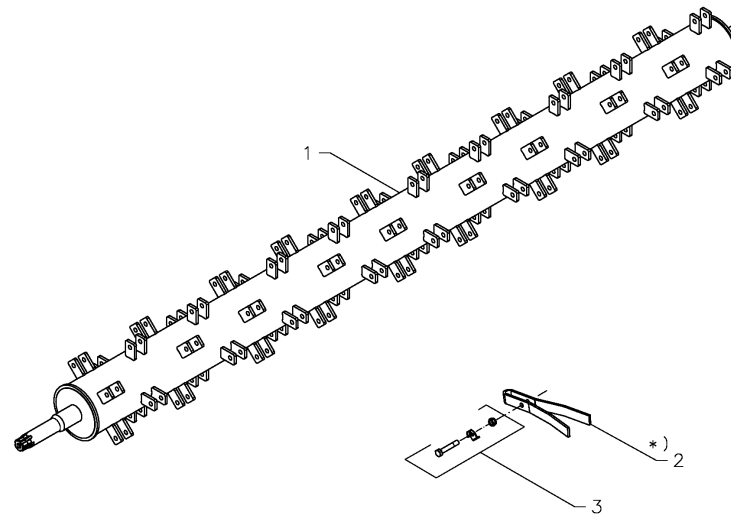


SPMKT000350

4232LT / Conditioner plate



PosNo.	Part No.	Qty.	Description	Remark
1	KT9118000086	1	CONDITIONER PLATE 3,2 M	
2	KT9046210086	1	REGULATING ROD 3,2 M	
3	KT9046110086	1	HANDLE	
4	KT9046400061	2	COTTER BOLT	
5	KT9034700061	2	PLATE	
6	KG01267561	9	WASHER M12	
7	KT9046300061	4	COTTER BOLT	
8	KG01251561	8	SPLIT PIN 4X25 ST	
9	KT9034800061	2	LOCK PLATE	
10	KT6827100061	1	COTTER BOLT	
11	KT1769300061	1	SPRING	
12	KT38218000	1	PLASTIC HANDLE	



*) Total number on machine : 72 pcs.

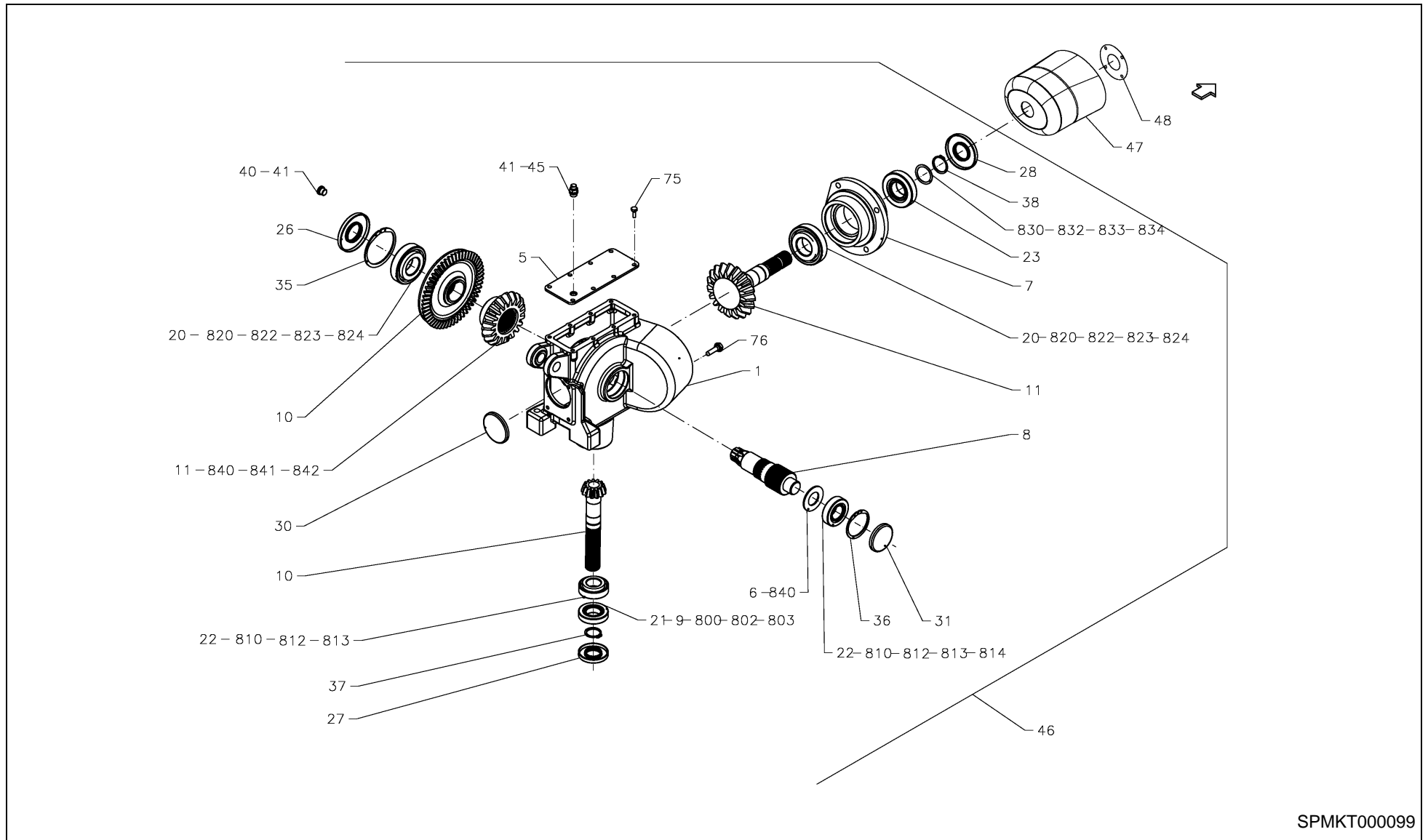
SPMKT000351

4232LT / Rotor



PosNo.	Part No.	Qty.	Description	Remark
1	KT9030020086	1	ROTOR 3,2 M	
2	KT90276000	1	SPARE PART KIT (SET = 10 PCS.)	
3	KT90278000	1	BOLT KIT (SET = 10 PCS.)	

4232LT / Main gear box

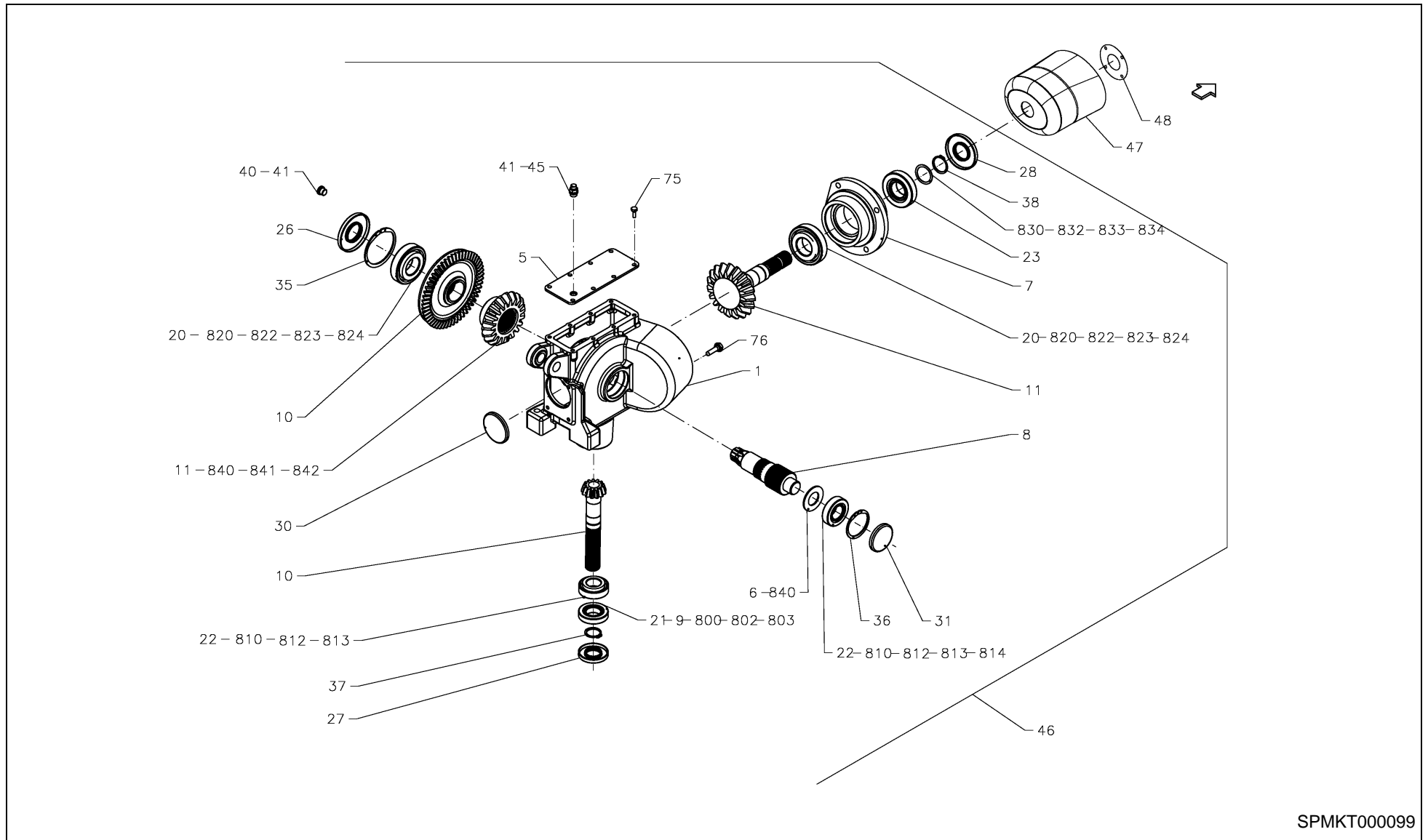


SPMKT000099

4232LT / Main gear box

PosNo.	Part No.	Qty.	Description	Remark
1	KT99255147	1	GEAR BOX CASING	
5	KT99255148	1	COVER	
6	KT99255149	1	SPACER	
7	KT99255150	1	FLANGE	
8	KT99255151	1	SHAFT	
9	KT99255152	1	DISC Ø35,1 X Ø70X0,5	
10	KT99255153	1	GEAR WHEEL SET	
11	KT99255154	1	GEAR WHEEL SET	
20	KT99255155	2	ROLLER BEARING 30309A	
21	KT99255107	1	ROLLER BEARING 30207A	
22	KT99255108	2	ROLLER BEARING 32207A	
23	KT99255156	1	ROLLER BEARING 30308A	
26	KT99255157	1	SEALING RING Ø45Ø100X10	
27	KT99255158	1	SEALING RING Ø35XØ72X10	
28	KT99255159	1	SEALING RING Ø40XØ90X10	
30	KT99255160	1	CAP Ø80X8	
31	KT99255123	1	CAP Ø72X9	
800	KT99255165	2	SHIM Ø35XØ45X0,1	
802	KT99255166	1	SHIM Ø35XØ45X0,3	
35	KT99255116	1	CIRCLIP Ø100X3,0	
803	KT99255167	1	SHIM Ø35XØ45X0,5	
36	KT99255115	1	CIRCLIP Ø72X2,5	
37	KT99255161	1	CIRCLIP Ø35X2,5	
38	KT99255162	1	CIRCLIP Ø40X1,75	
40	KT99255120	2	PLUG	
41	KT99255122	3	SEALING RING Ø16XØ20	
810	KT99255137	4	SHIM Ø62XØ72X0,1	
812	KT99255138	2	SHIM Ø62XØ72X0,3	
45	KT99255129	1	VALVE	
813	KT99255139	2	SHIM Ø62XØ72X0,5	
46	KT99255003	1	MAIN GEAR BOX, COMPLETE	
814	KT99255140	1	SHIM Ø62XØ72X1,0	
47	KT99244506	1	GUARD	
48	KT9062900061	1	DISC	
820	KT99255168	4	SHIM Ø90XØ100X0,1	
822	KT99255169	2	SHIM Ø90XØ100X0,3	
823	KT99255170	2	SHIM Ø90XØ100X0,5	
824	KT99255171	2	SHIM Ø90XØ100X1,0	
830	KT99255144	2	SHIM Ø40XØ50X0,1	
832	KT99255143	1	SHIM Ø40XØ50X0,3	

4232LT / Main gear box



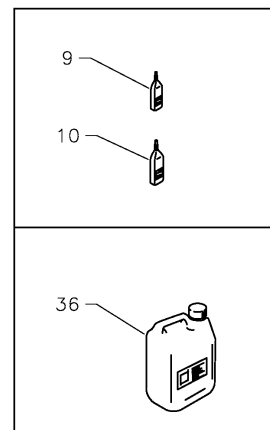
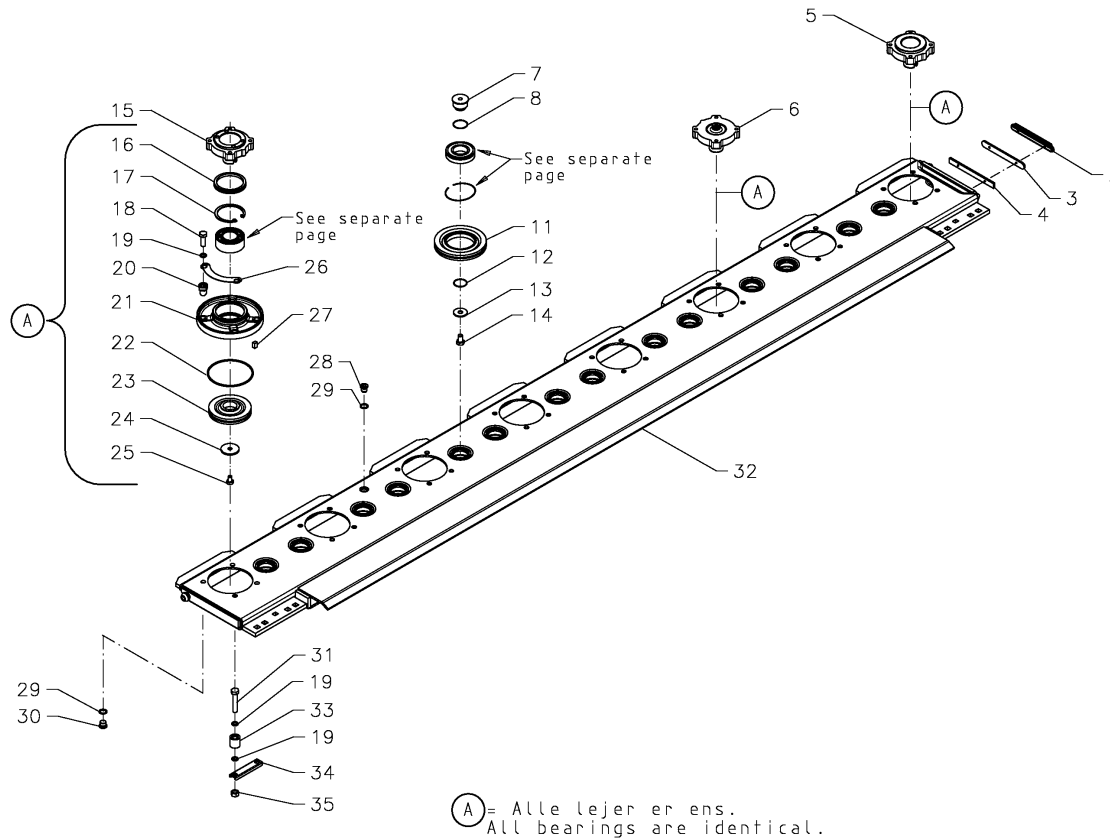
SPMKT000099

4232LT / Main gear box



PosNo.	Part No.	Qty.	Description	Remark
833	KT99255142	1	SHIM Ø40XØ50X0,5	
834	KT99255172	1	SHIM Ø40XØ50X1,0	
840	KT99255173	2	SHIM Ø60XØ75X0,1	
841	KT99255174	2	SHIM Ø60XØ75X0,3	
842	KT99255175	2	SHIM Ø60XØ75X0,5	
75	KT99255163	8	HEX HEAD SCREW M8X20	
76	KT99255164	4	BOLT M12X40	

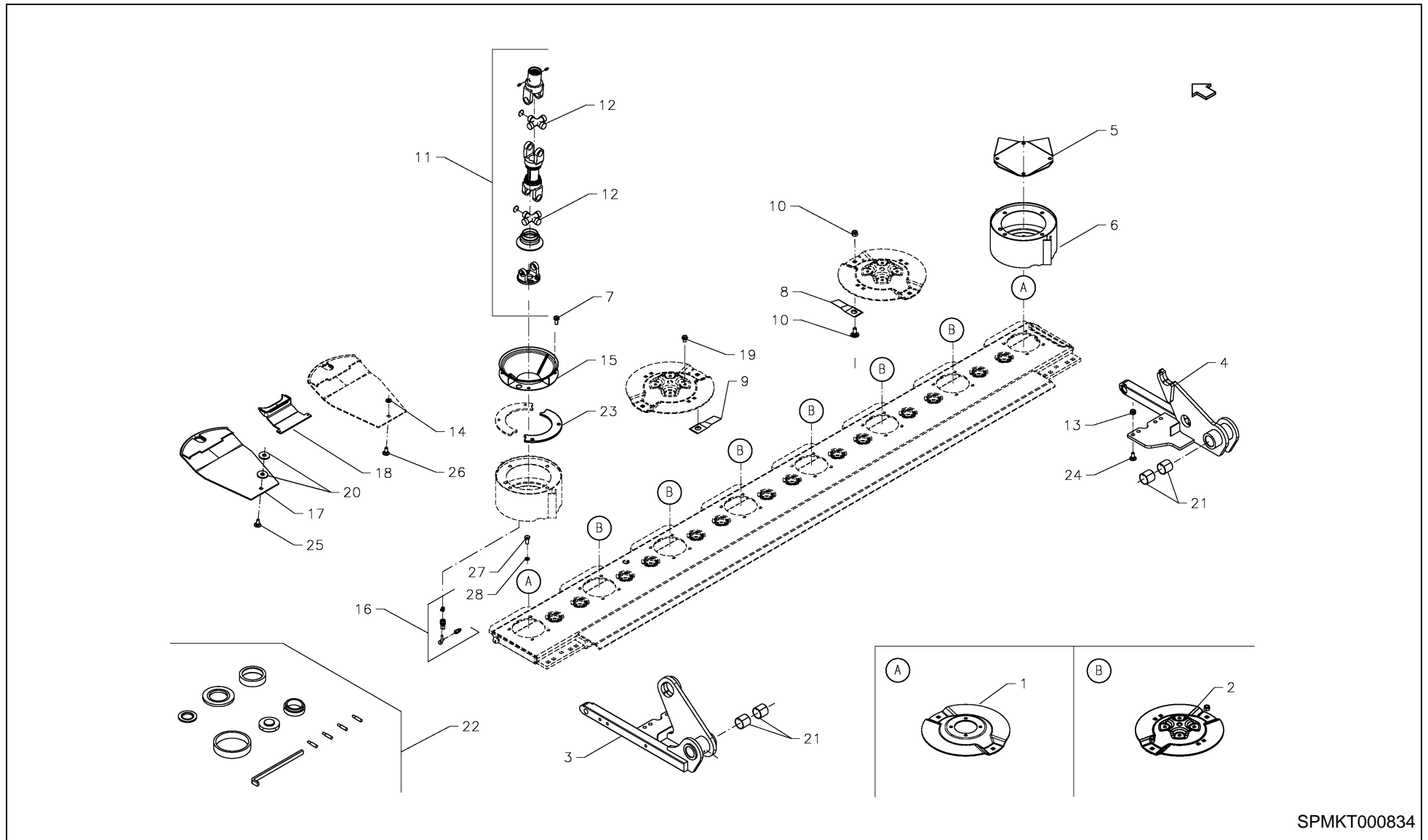
Complete No. 1



4232LT / Cutterbar



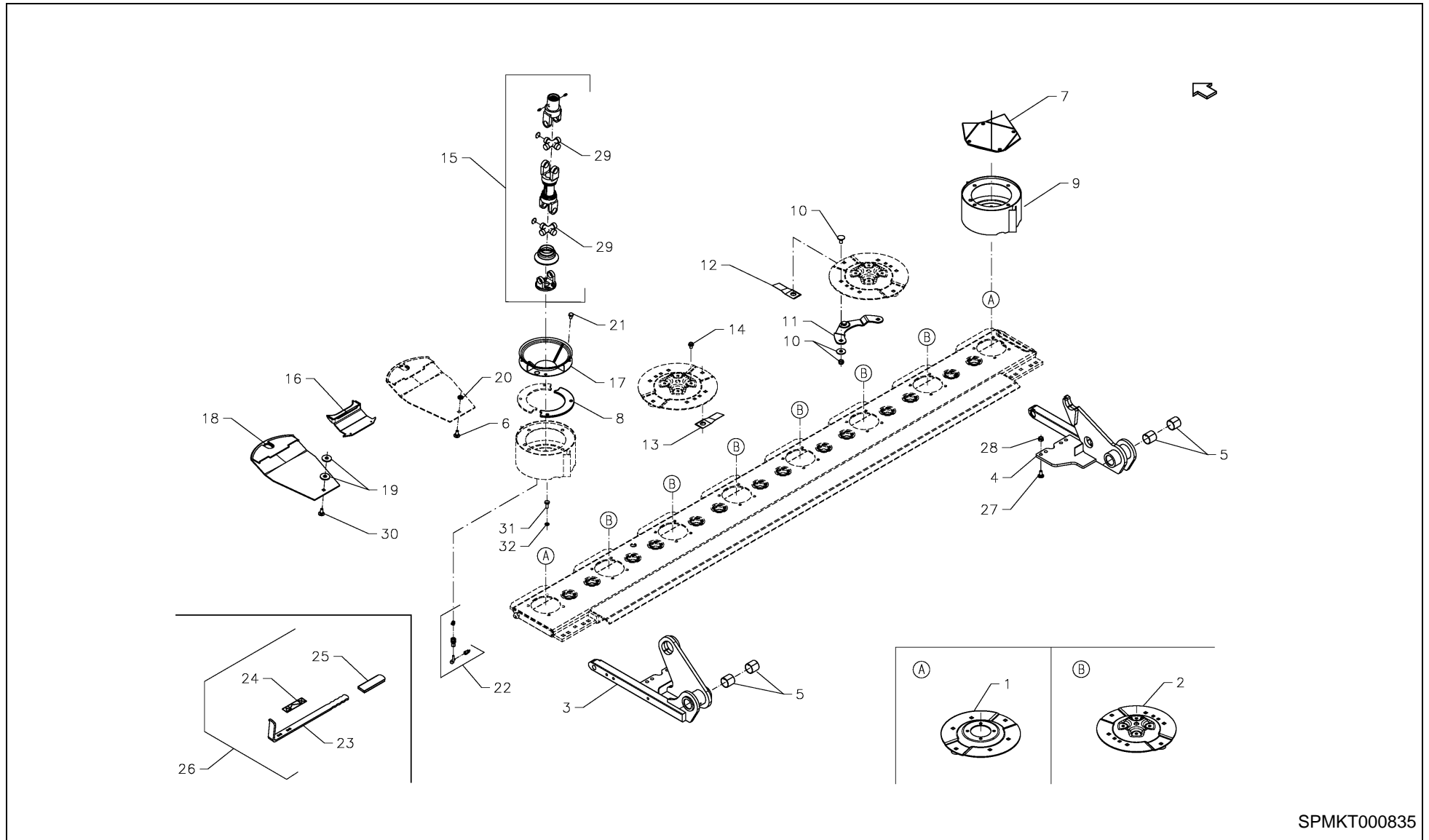
PosNo.	Part No.	Qty.	Description	Remark
1	KT5520200086	1	8-DISC CUTTERBAR, COMPLETE	
2	KT5564900061	1	COVER	
3	KT55651000	1	GASKET	
4	KT5565000001	1	PATCH	
5	KT5512600001	1	HUB	
6	KT5512300001	6	HUB	
7	KT5564400001	14	AXLE JOURNAL	
8	KT99420238	14	OIL SEAL Ø37,1 X 1,6	
9	KT99457134	1	LOCTITE TUBE 3 G	
10	KT99457135	1	LOCTITE TUBE 10 G	
11	KT5564110001	14	GEAR WHEEL Z=39	
12	KT99420125	14	OIL SEAL Ø34,2X3	
13	KT5567000001	14	WASHER	
14	KG00476261	14	HEX. SCREW M12X20 8.8	
15	KT5512400001	1	HUB FOR PTO SHAFT	
16	KT99421068	8	SEALING RING 75A	
17	KG01130900	8	CIRCLIP-B 80 X 2.5	
18	KG01840800	28	HEX. SCREW M12X35 10.9 4017	
19	KT99420109	36	OIL SEAL Ø10,69X3,53	
20	KT5564610001	28	NUT	
21	KT5512200001	8	CASING	
22	KT99420286	8	OIL SEAL Ø120,24X3,53	
23	KT5574900001	8	GEAR WHEEL Z=31	
24	KT5515400001	8	WASHER 11/50-4	
25	KG00473961	8	HEX. SCREW M10X16 8.8	
26	KT5572910061	16	LOCK PLATE	
27	KT99354122	8	KEY 10-8-16	
28	KT99462633	1	PLUG M16X1,5	
29	KT99462718	2	DISC Ø16-Ø22X1	
30	KT99458109	2	TUBE PLUG M16X1,5	
31	KT99302819	4	STEEL BOLT M12X65	
32	KT5512900086	1	8-DISC CUTTERBAR	
33	KT5576600001	4	SPACER	
34	KT5576700001	2	LOCK PLATE	
35	KG01840900	4	HEX. NUT M12 10 4032	
36	KT10105000	1	OIL CAN 5 LTR.	



SPMKT000834

4232LT / Transmission, cutterbar

PosNo.	Part No.	Qty.	Description	Remark
1	KT5513300094	2	CUTTING DISC	
2	KT5513400094	6	CUTTING DISC	
3	KT9030600086	1	BRACKET, LH	
4	KT9030500086	1	BRACKET, RH	
5	KT5516200094	1	TOP PLATE	
6	KT5512820094	2	CONE	
7	KT99308826	8	STEEL BOLT (VERBUS RIBB BOLT) M10X20	
8	KT56781000	1	KNIFE KIT RH CPL. KIT = 25 PCS. (126 MM)	
9	KT56782000	1	KNIFE KIT LH CPL. KIT = 25 PCS. (126 MM)	
10	KT56294000	2	SET OF KNIFE BOLT	
11	KT55246100	1	UNIVERSAL JOINT, COMPLETE	
12	KT99244511	2	CROSS, COMPLETE	
13	KG01072461	8	LOCK NUT M12 8	
14	KG01267461	8	WASHER M10	
15	KT6865820094	1	TOP CONE	
16	KT69708000	1	LUBRICATION PIPE L= 115MM, COMPLETE	
17	KT5512500086	8	WEARING SOLE	
18	KT5513900086	7	COUNTER KNIFE	
19	KT99308824	24	STEEL BOLT (VERBUS RIBB BOLT) M10X16	
20	KT5627100061	4	WASHER Ø13-Ø40X4	
21	KT99158084	4	BEARING BUSHING PM 40	
22	KT55695100	1	TOOL KIT FOR CUTTERBAR	
23	KT5524700086	2	RING	
24	KT4543100061	8	PLOUGH BOLT M12X35	
25	KT56149000	2	PLOUGH BOLT M10-40	
26	KT45429000	6	PLOUGH BOLT M10-30	
27	KT99322670	8	STEELSET SCREW M10X25 12.9	
28	KT99333832	8	LOCK WASHER 10,3 X 16,6 NORDLOCK	

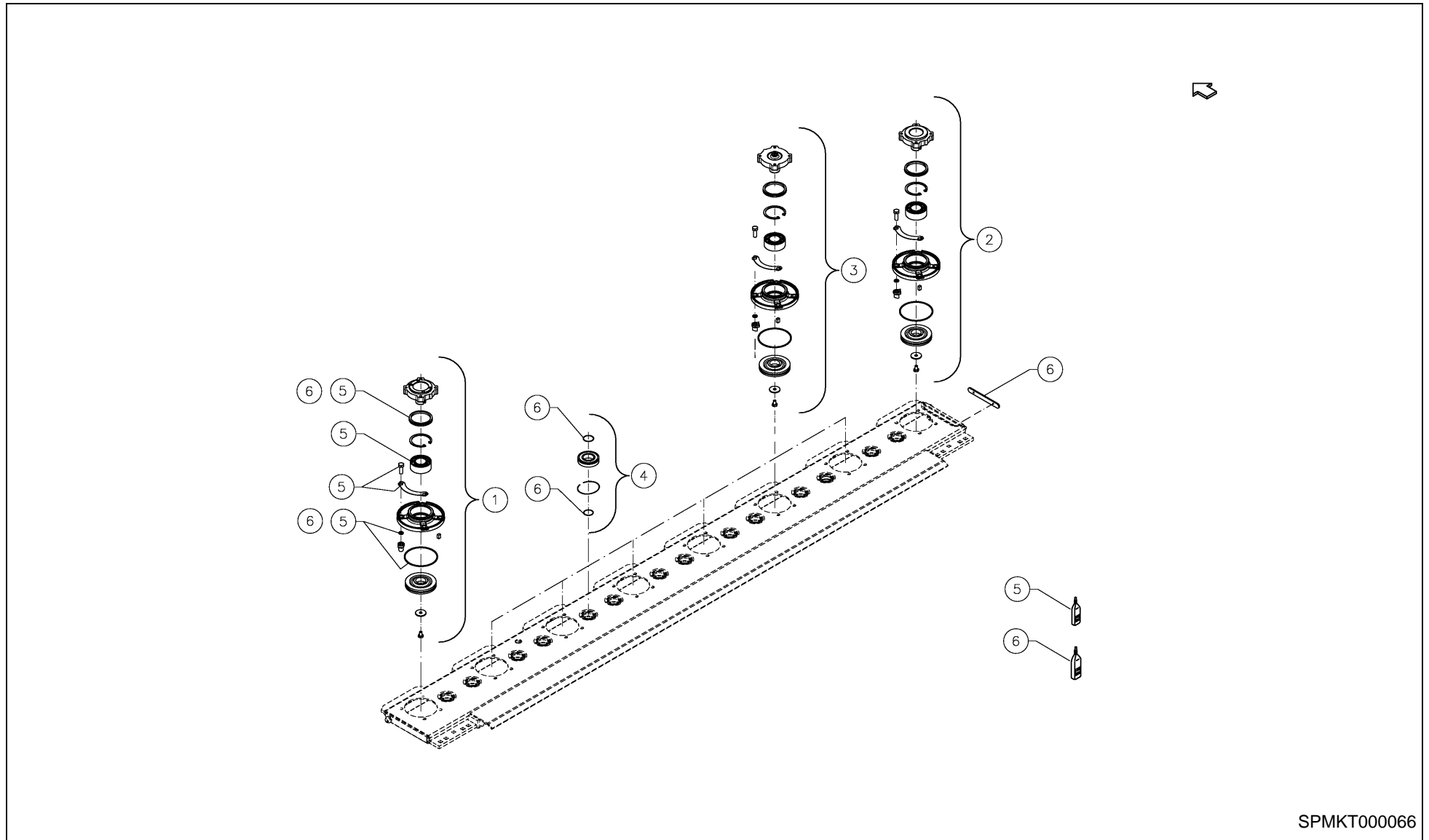


SPMKT000835

4232LT / Transmission, cutterbar + ProFit



PosNo.	Part No.	Qty.	Description	Remark
1	KT5515100094	2	CUTTING DISC (PROFIT)	
2	KT5515000094	6	CUTTING DISC (PROFIT)	
3	KT9030600086	1	BRACKET, LH	
4	KT9030500086	1	BRACKET, RH	
5	KT99158084	4	BEARING BUSHING PM 40	
6	KT45429000	6	PLOUGH BOLT M10-30	
7	KT5516200094	1	TOP PLATE	
8	KT5524700086	2	RING	
9	KT5512820094	2	CONE	
10	KT90288000	2	BOLT KIT COMPLETE	
11	KT5577110094	16	KNIFE RETAINER (PROFIT)	
12	KT56781000	1	KNIFE KIT RH CPL. KIT = 25 PCS. (126 MM)	
13	KT56782000	1	KNIFE KIT LH CPL. KIT = 25 PCS. (126 MM)	
14	KT99308824	24	STEEL BOLT (VERBUS RIBB BOLT) M10X16	
15	KT55246100	1	UNIVERSAL JOINT, COMPLETE	
16	KT5513900086	7	COUNTER KNIFE	
17	KT6865820094	1	TOP CONE	
18	KT5512500086	8	WEARING SOLE	
19	KT5627100061	4	WASHER Ø13-Ø40X4	
20	KG01267461	8	WASHER M10	
21	KT99308826	8	STEEL BOLT (VERBUS RIBB BOLT) M10X20	
22	KT69708000	1	LUBRICATION PIPE L= 115MM, COMPLETE	
23	KT55772100	1	TOOL	
24	KT55769000	1	DECAL	
25	KT38218000	1	PLASTIC HANDLE	
26	KT91258000	1	TOOL COMPLETE	
27	KT4543100061	8	PLOUGH BOLT M12X35	
28	KG01072461	8	LOCK NUT M12 8	
29	KT99244511	2	CROSS, COMPLETE	
30	KT56149000	2	PLOUGH BOLT M10-40	
31	KT99322670	8	STEELSET SCREW M10X25 12.9	
32	KT99333832	8	LOCK WASHER 10,3 X 16,6 NORDLOCK	

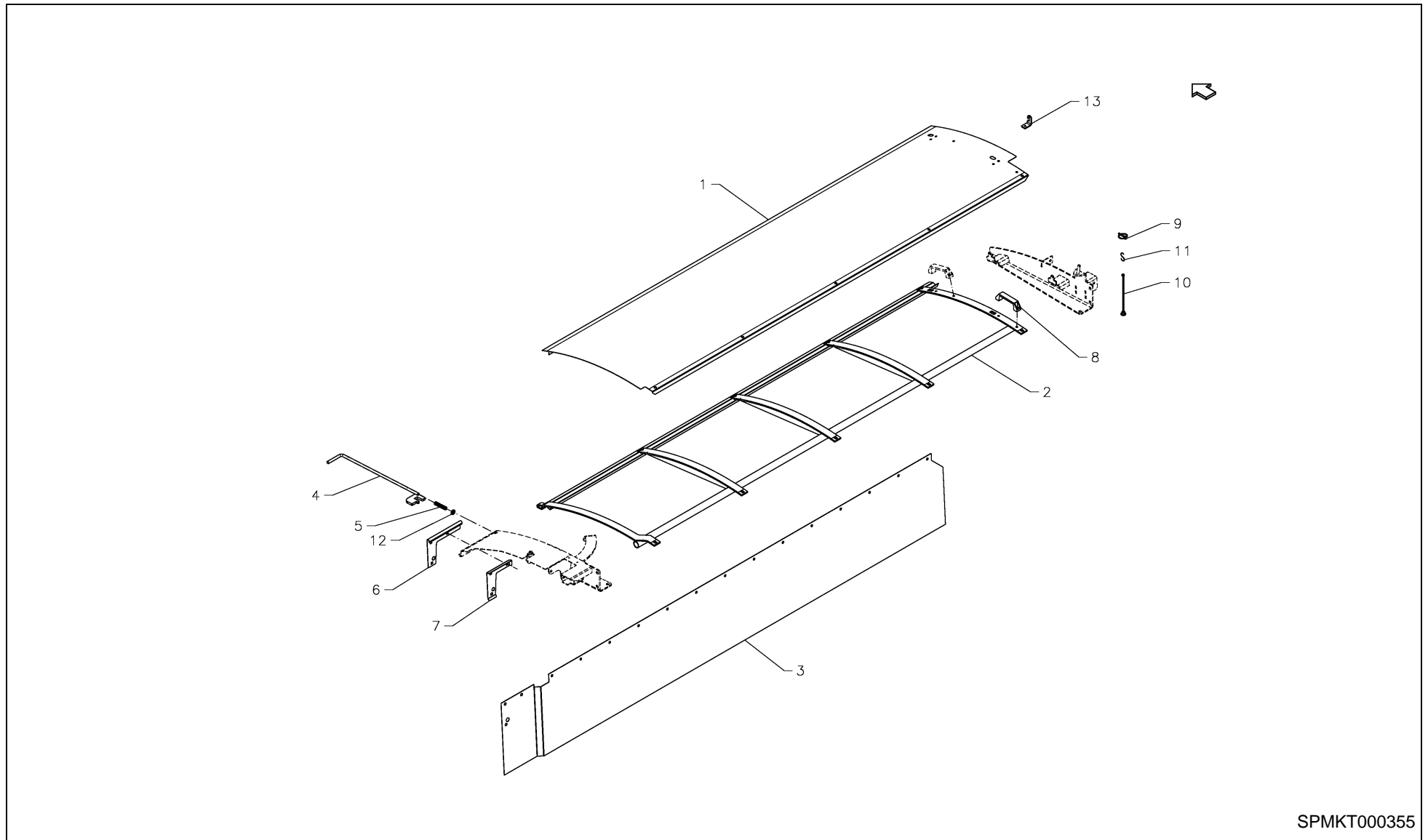


SPMKT000066

4232LT / Cutterbar



PosNo.	Part No.	Qty.	Description	Remark
1	KT55243000	1	CASING FOR PTO, COMPLETE	
2	KT55245000	1	CASING, COMPLETE	
3	KT55244000	1	CASING, COMPLETE	
4	KT55706100	1	SET OF BEARING	
5	KT55705300	1	SPARE PARTS SET	
6	KT55710300	1	GASKET KIT	

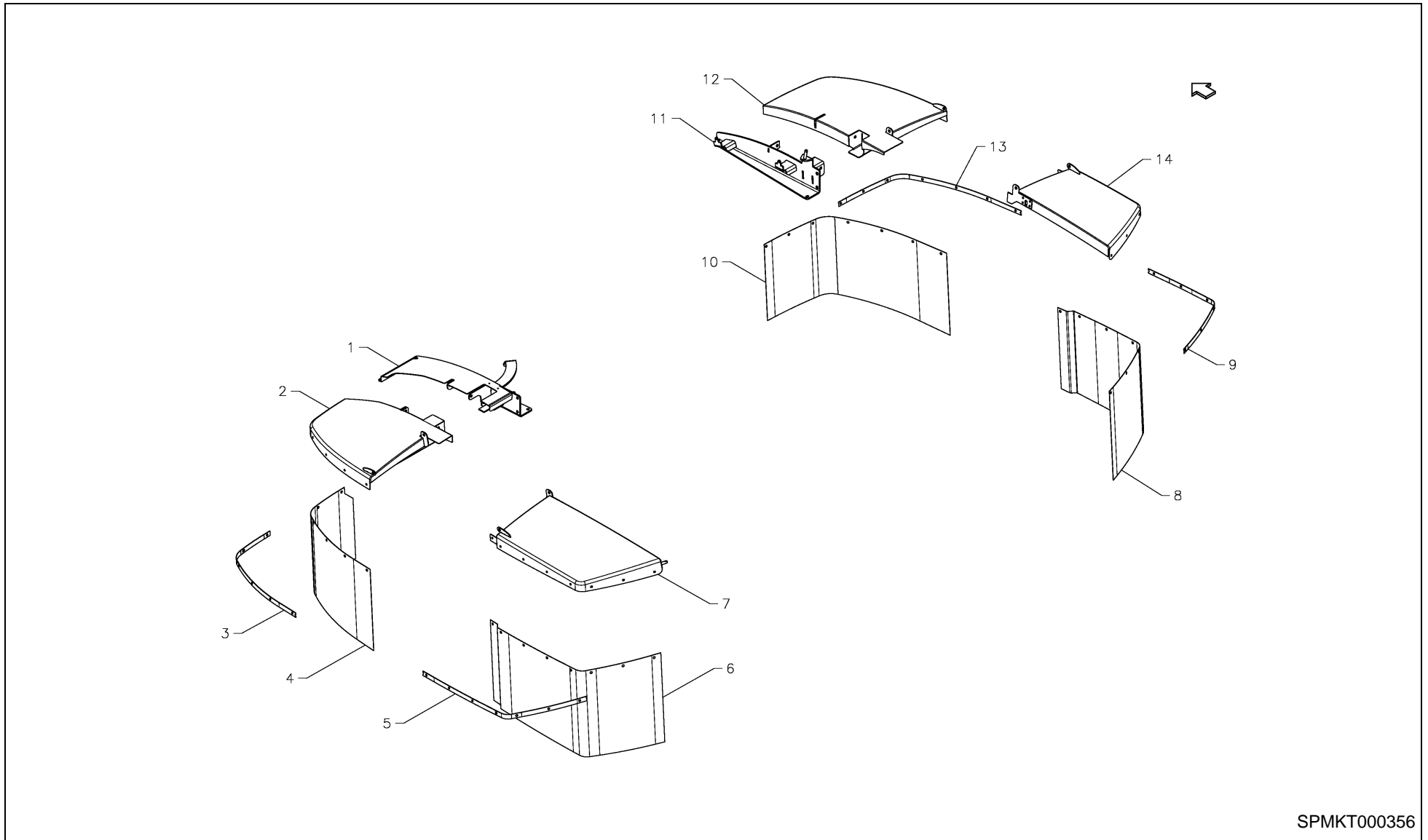


SPMKT000355

4232LT / Guard



PosNo.	Part No.	Qty.	Description	Remark
1	KT9060610094	1	TOP PLATE	
2	KT9059510094	1	FRAME	
3	KT90830000	1	TARPAULIN	
4	KT9059300061	1	HANDLE	
5	KT1769300061	1	SPRING	
6	KT9058410061	1	BRACKET	
7	KT9058510061	1	PLATE	
8	KT99458238	2	PLASTIC HANDLE	
9	KT99331901	5	LINCH PIN Ø 6	
10	VF06564448	5	CORD	
11	KT99452096	5	HOOK	
12	KG01267561	3	WASHER M12	
13	KT9088000061	1	BRACKET	



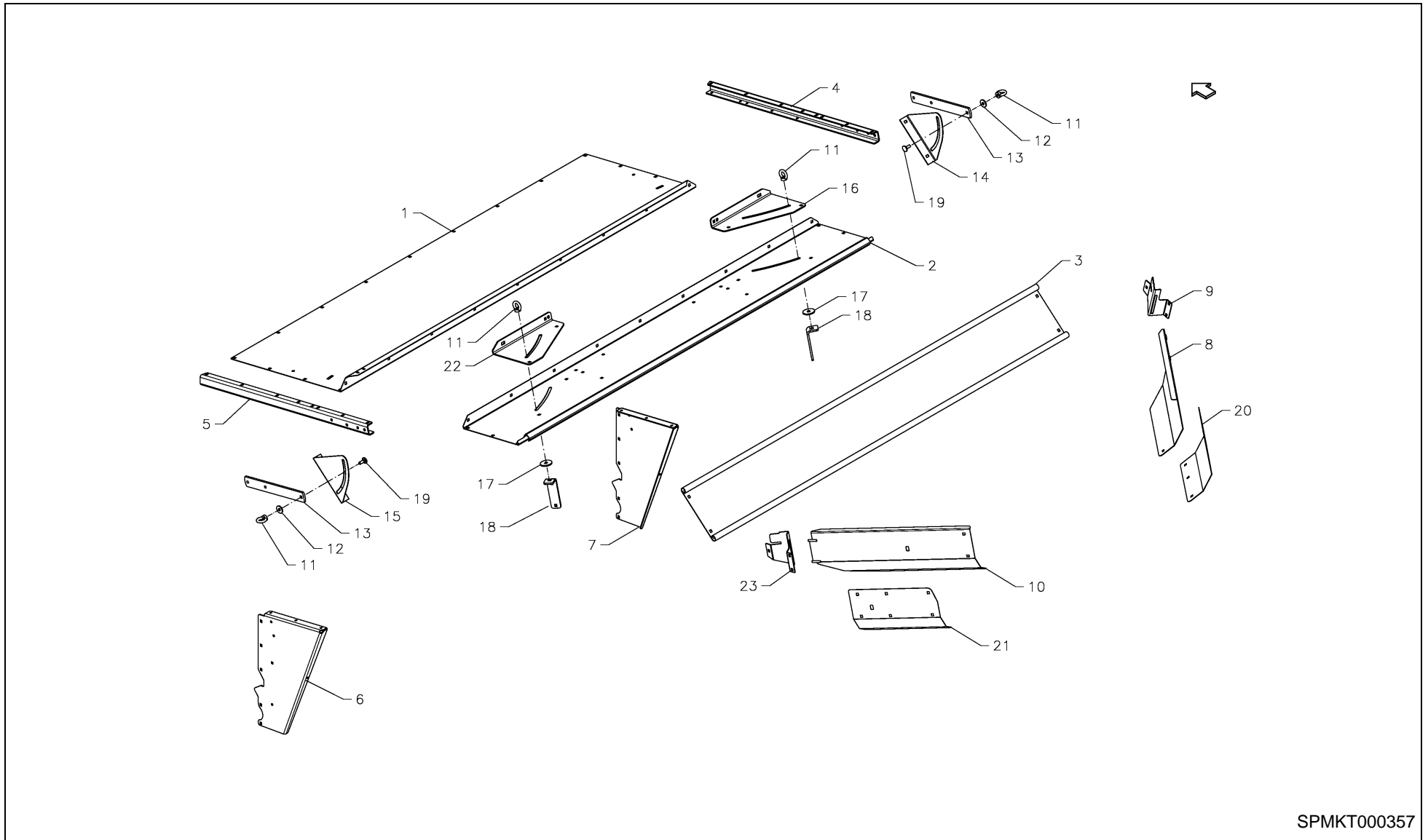
SPMKT000356

4232LT / Guard



PosNo.	Part No.	Qty.	Description	Remark
1	KT9059410094	1	BRACKET, LH	
2	KT9059710094	1	GUARD, LH	
3	KT9083400061	1	RAIL, LH	
4	KT90827000	1	TARPAULIN	
5	KT9083500061	1	RAIL, LH	
6	KT90828000	1	TARPAULIN	
7	KT9059210094	1	GUARD, REAR LH	
8	KT90826000	1	TARPAULING	
9	KT9083300061	1	RAIL, RH	
10	KT90860000	1	TARPAULIN	
11	KT9063720094	1	ARM FOR GUARD	
12	KT9058620094	1	STEEL GUARD RH	
13	KT9083200061	1	RAIL, RH	
14	KT9058720094	1	STEEL GUARD REAR RH	

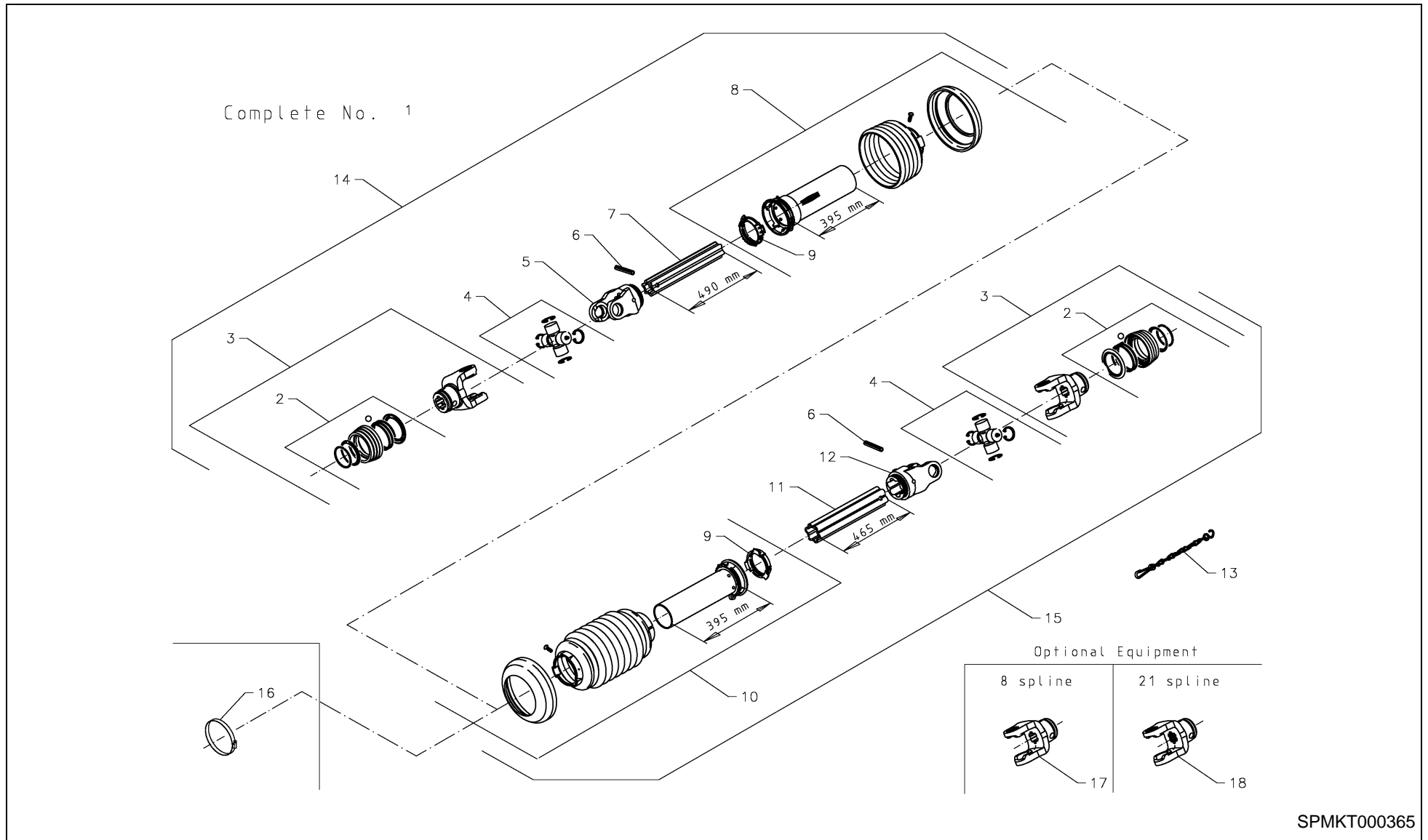
4232LT / Rear end & deflector plate



SPMKT000357

4232LT / Rear end & deflector plate

PosNo.	Part No.	Qty.	Description	Remark
1	KT9044500094	1	TOP PLATE 3,2M	
2	KT9044610094	1	UPPER PLATE 3,2 M	
3	KT6976110094	1	PLATE	
4	KT9034100094	1	PROFILE, RH	
5	KT9034000094	1	PROFILE, LH	
6	KT9033800094	1	SIDE PLATE, LH	
7	KT9033900094	1	SIDE PLATE, RH	
8	KT9033710094	1	DEFLECTOR PLATE, RH	
9	KT9118300061	1	BRACKET RH	
10	KT9033610094	1	DEFLECTOR PLATE, LH	
11	KG01094161	4	EYE NUT M12 C15	
12	KT5627100061	2	WASHER Ø13-Ø40X4	
13	KT6977200094	2	PROFIL	
14	KT6975420094	1	BRACKET RH	
15	KT6975520094	1	BRACKET LH	
16	KT9119500094	1	REINFORCEMENT PLATE RH	
17	KT3917400061	2	WASHER	
18	KT9044400094	2	BRACKET	
19	KG00644961	2	CARRIAGE BOLT M12X35 8.8	
20	KT9118600094	1	EXTENSION FOR DEFLECTOR PLATE LH	
21	KT9118700094	1	EXTENSION FOR DEFLECTOR PLATE RH	
22	KT9119300094	1	REINFORCEMENT PLATE LH	
23	KT9118400061	1	BRACKET LH	

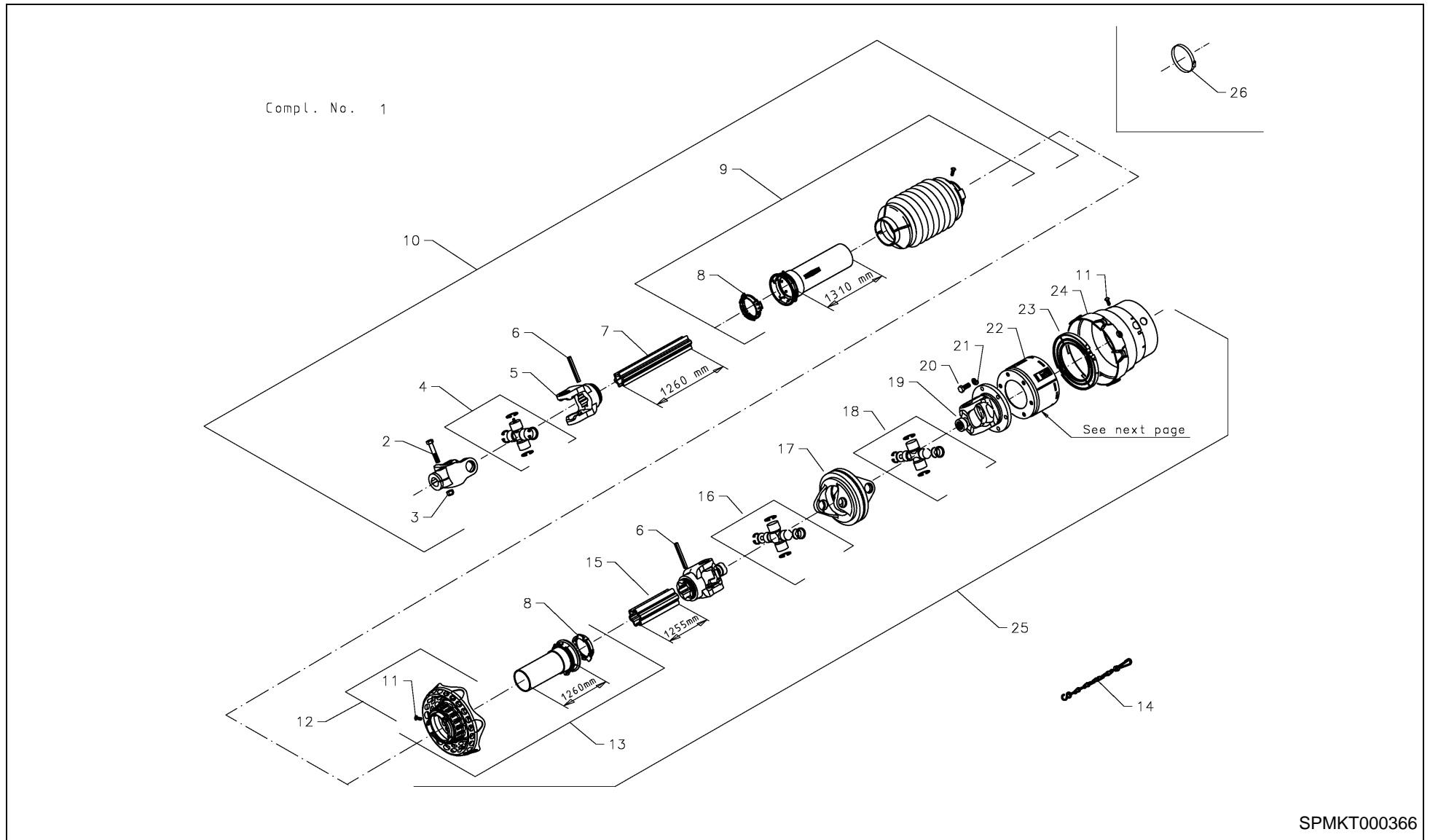


SPMKT000365

4232LT / PTO shaft



PosNo.	Part No.	Qty.	Description	Remark
1	KT99244475	1	PTO SHAFT, COMPLETE	
2		4	NO PART NUMBER AVAILABLE	Walterscheid No. 135048
3		4	NO PART NUMBER AVAILABLE	Walterscheid No. 133836
4	KT99244480	4	CROSS CPL.	
5		1	NO PART NUMBER AVAILABLE	Walterscheid No. 356905
6		4	NO PART NUMBER AVAILABLE	Walterscheid No. 020617
7		1	NO PART NUMBER AVAILABLE	Walterscheid No. 134940
8	KT99244472	1	OUTER PROTECTION TUBE, COMPLETE	
9		4	NO PART NUMBER AVAILABLE	Walterscheid No. 087276
10	KT99244473	1	INNER PROTECTION TUBE, COMPLETE	
11		1	NO PART NUMBER AVAILABLE	Walterscheid No. 017660
12		1	NO PART NUMBER AVAILABLE	Walterscheid No. 356906
13		1	NO PART NUMBER AVAILABLE	Walterscheid No. 044321
14	KT99244476	1	PTO SHAFT, INNER HALF, COMPLETE	
15	KT99244477	1	PTO SHAFT, OUTER HALF, COMPLETE	
16	KT99352040	1	HOSE BAND Ø87/Ø112 / 12	
17	ACCESSOIRE	1	PLEASE CONTACT YOUR DEALER	
18	ACCESSOIRE	1	PLEASE CONTACT YOUR DEALER	

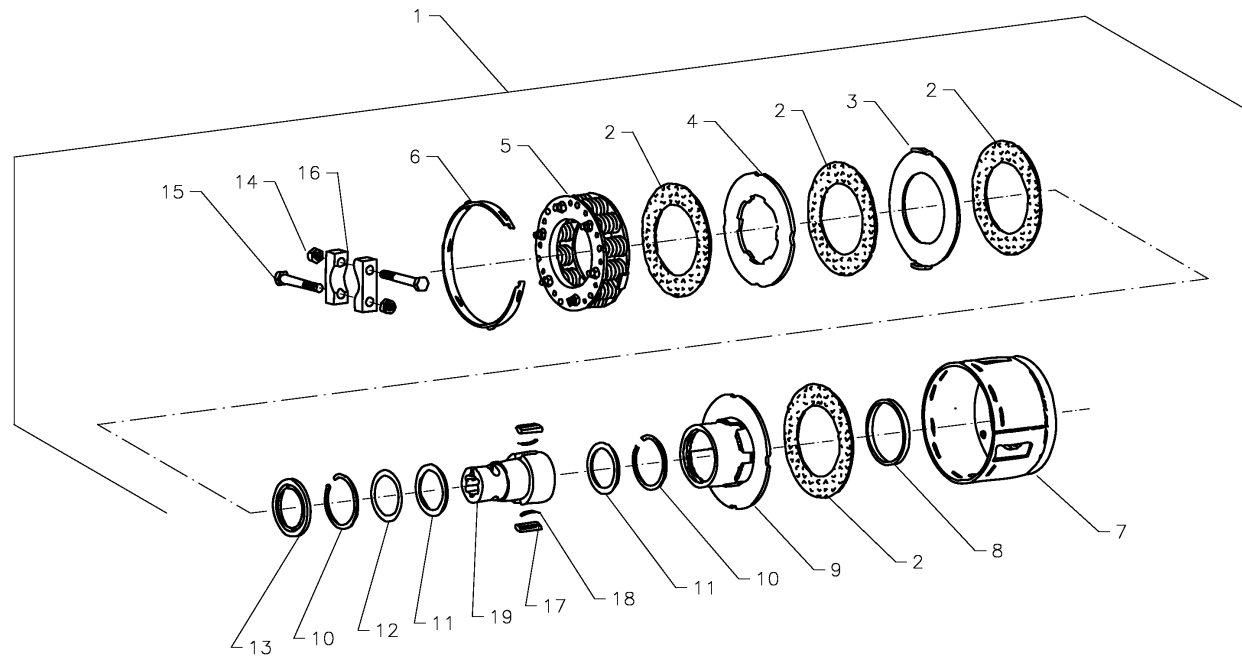


SPMKT000366

4232LT / PTO shaft



PosNo.	Part No.	Qty.	Description	Remark
1	KT99244495	1	PTO SHAFT, COMPLETE	
2		1	NO PART NUMBER AVAILABLE	Walterscheid No. 020471
3		1	NO PART NUMBER AVAILABLE	Walterscheid No. 010490
4	KT99244498	1	CROSS, COMPLETE	
5		1	NO PART NUMBER AVAILABLE	Walterscheid No. 356905
6		1	NO PART NUMBER AVAILABLE	Walterscheid No. 020617
7		1	NO PART NUMBER AVAILABLE	Walterscheid No. 134937
8		2	NO PART NUMBER AVAILABLE	Walterscheid No. 087276
9	KT99244474	1	INNER PROTECTION TUBE, COMPLETE	
10	KT99244496	1	PTO SHAFT, INNER HALF, COMPLETE	
11		3	NO PART NUMBER AVAILABLE	Walterscheid No. 365305
12		1	NO PART NUMBER AVAILABLE	Walterscheid No. 134847
13	KT99244478	1	OUTER PROTECTION TUBE, COMPLETE	
14		1	NO PART NUMBER AVAILABLE	Walterscheid No. 382078
15		1	NO PART NUMBER AVAILABLE	Walterscheid No. 134935
16	KT99244499	1	CROSS, COMPLETE	
17		1	NO PART NUMBER AVAILABLE	Walterscheid No. 128854
18	KT99244501	1	CROSS, COMPLETE	
19		1	NO PART NUMBER AVAILABLE	Walterscheid No. 137805
20		1	NO PART NUMBER AVAILABLE	Walterscheid No. 178119
21		1	NO PART NUMBER AVAILABLE	Walterscheid No. 178115
22	KT99244481	1	FRICTION CLUTCH, CPL.	
23		1	NO PART NUMBER AVAILABLE	Walterscheid No. 172715
24		1	NO PART NUMBER AVAILABLE	Walterscheid No. 129948
25	KT99244497	1	PTO SHAFT, OUTER HALF, COMPLETE	
26	KT99352040	1	HOSE BAND Ø87/Ø112 / 12	

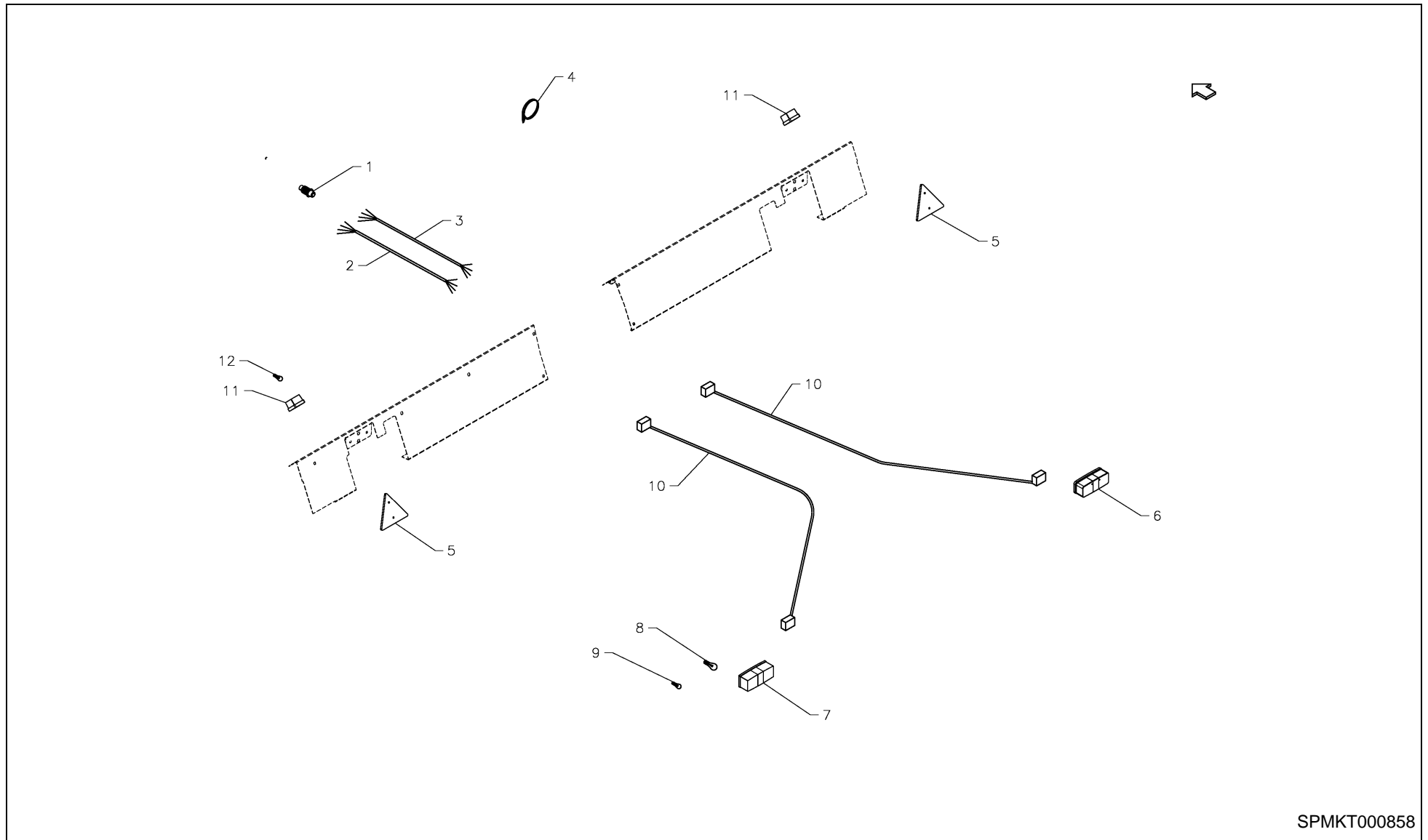


SPMKT000131

4232LT / Friction clutch



PosNo.	Part No.	Qty.	Description	Remark
1	KT99244481	1	FRICION CLUTCH, CPL.	
2	KT99244479	4	FRICION DISC	
3		1	NO PART NUMBER AVAILABLE	Walterscheid No. 367726
4		1	NO PART NUMBER AVAILABLE	Walterscheid No. 367725
5		1	NO PART NUMBER AVAILABLE	Walterscheid No. 377673
6		1	NO PART NUMBER AVAILABLE	Walterscheid No. 367720
7		1	NO PART NUMBER AVAILABLE	Walterscheid No. 367767
8		1	NO PART NUMBER AVAILABLE	Walterscheid No. 367718
9		1	NO PART NUMBER AVAILABLE	Walterscheid No. 169198
10		2	NO PART NUMBER AVAILABLE	Walterscheid No. 702100
11		2	NO PART NUMBER AVAILABLE	Walterscheid No. 304235
12		1	NO PART NUMBER AVAILABLE	Walterscheid No. 116141
13		1	NO PART NUMBER AVAILABLE	Walterscheid No. 170012
14		2	NO PART NUMBER AVAILABLE	Walterscheid No. 020471
15		2	NO PART NUMBER AVAILABLE	Walterscheid No. 332178
16		2	NO PART NUMBER AVAILABLE	Walterscheid No. 010490
17		2	NO PART NUMBER AVAILABLE	Walterscheid No. 331737
18		2	NO PART NUMBER AVAILABLE	Walterscheid No. 332185
19		1	NO PART NUMBER AVAILABLE	Walterscheid No. 185830

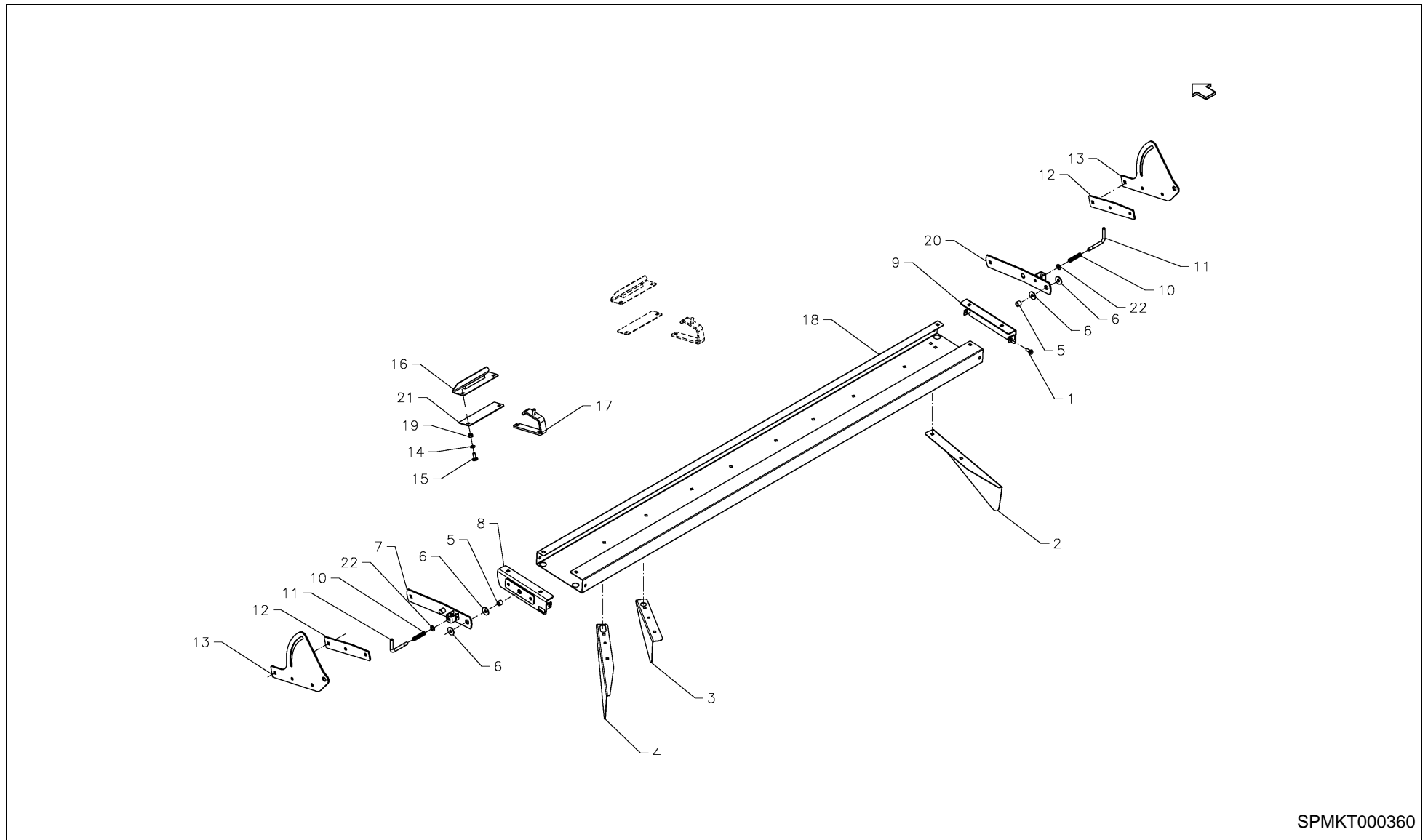


SPMKT000858

4232LT / LIGHTING KIT



PosNo.	Part No.	Qty.	Description	Remark
1	KT99478196	1	7 PIN PLUG	
2	KT90580100	1	CABLE	
3	KT90579100	1	CABLE	
4	KT99478389	8	CABLE TIE	
5	KT99458332	2	REFLEX	
6	KT99474335	1	REAR LIGHT	
7	KT99474336	1	REAR LIGHT	
8	KT99477138	4	LIGHTING BULB 12V 21W	
9	KT99477137	2	LIGHTING BULB 12 10W	
10	KT90582100	2	CABLE	
11	KT99474330	2	POSITION LANTERN	
12	KT99477136	2	BULB 12V 5W	



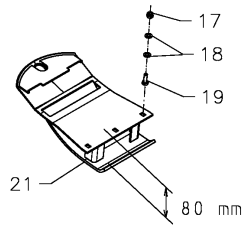
SPMKT000360

4232LT / Optional equipment

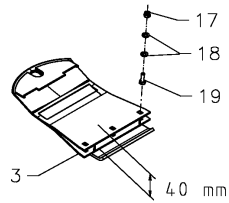


PosNo.	Part No.	Qty.	Description	Remark
1	KG00981961	4	FLANGED BOLT M10X25 TENSIOLOC	
2	KT6989900094	1	SPREADING VANE	
3	KT7047500094	7	SPREADING VANE	
4	KT7047400094	1	SPREADING VANE	
5	KT7049000061	2	BUSHING	
6	KT3817000061	4	WASHER	
7	KT7048400094	1	BRACKET, LH	
8	KT7048210094	1	BRACKET, LH	
9	KT7048310094	1	BRACKET, RH	
10	KT1769300061	2	SPRING	
11	KT7048100061	2	HANDLE	
12	KT9063800061	2	PLATE	
13	KT7048820094	2	PLATE	
14	KG01267461	8	WASHER M10	
15	KG00641461	8	CARRIAGE BOLT M10X25 8.8	
16	KT9062800061	2	BRACKET	
17	KT9062710061	2	BRACKET FOR DEFLECTOR PLATE	
18	KT7050210094	1	PROFILE	
19	KG01064161	8	LOCK NUT M10 8	
20	KT7048500094	1	BRACKET, RH	
21	KT9119400061	2	PLATE	
22	KG01267561	2	WASHER M12	

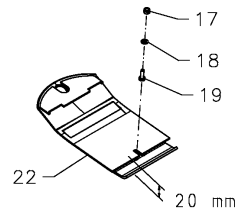
Optional Equipment



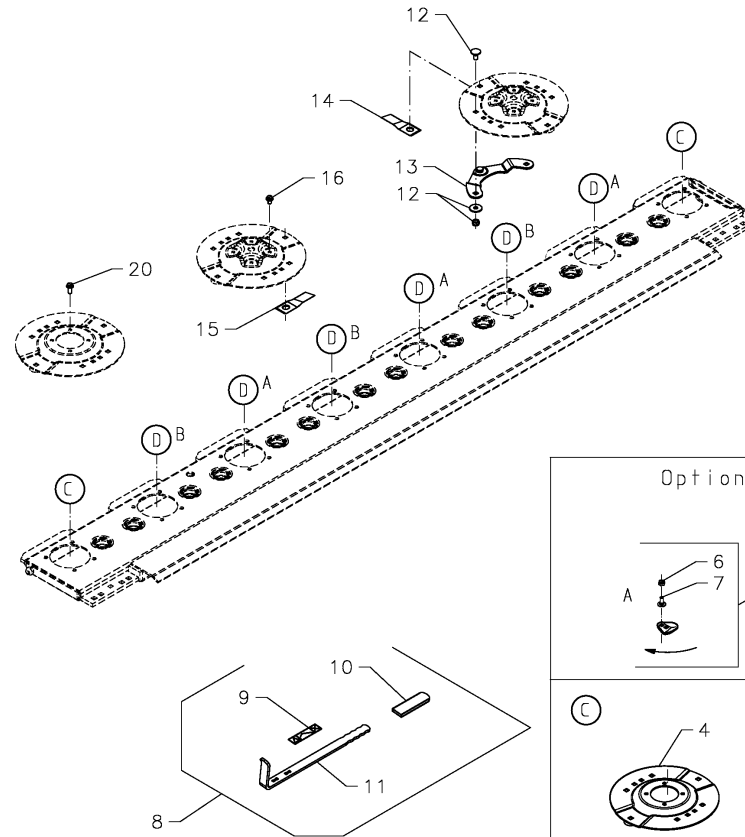
Optional Equipment



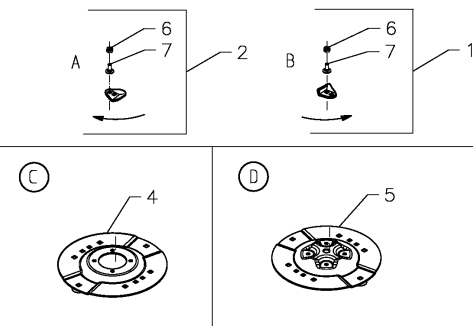
Optional Equipment



Optional Equipment



Optional Equipment



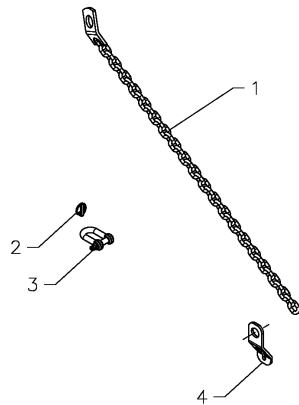
SPMKT000839

4232LT / Optional equipment

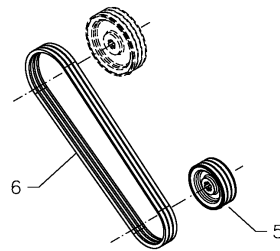


PosNo.	Part No.	Qty.	Description	Remark
1	KT55694100	3	THROWING WING, LEFT	
2	KT55693100	3	THROWING WING, RIGHT	
3	KT5524000086	1	HIGH STONE GUARD 40 MM	
4	KT5515100094	2	CUTTING DISC (PROFIT)	
5	KT5515000094	6	CUTTING DISC (PROFIT)	
6	KG01072361	24	LOCK NUT M10 8	
7	KT45432000	24	CARRIAGE BOLT M10-20	
8	KT55777100	1	TOOL CPL.	
9	KT55769000	1	DECAL	
10	KT38218000	1	PLASTIC HANDLE	
11	KT55772100	1	TOOL	
12	KT90288000	2	BOLT KIT COMPLETE	
13	KT5577110094	16	KNIFE RETAINER (PROFIT)	
14	KT56781000	1	KNIFE KIT RH CPL. KIT = 25 PCS. (126 MM)	
15	KT56782000	1	KNIFE KIT LH CPL. KIT = 25 PCS. (126 MM)	
16	KT99308824	24	STEEL BOLT (VERBUS RIBB BOLT) M10X16	
17	KG01064161	2	LOCK NUT M10 8	
18	KG01267461	4	WASHER M10	
19	KG00474361	2	HEX. SCREW M10X30 8.8	
20	KT99308826	8	STEEL BOLT (VERBUS RIBB BOLT) M10X20	
21	KT5515300086	1	HIGH STONE GUARD 80 MM	
22	KT5535000086	1	HIGH STONE GUARD 20MM	

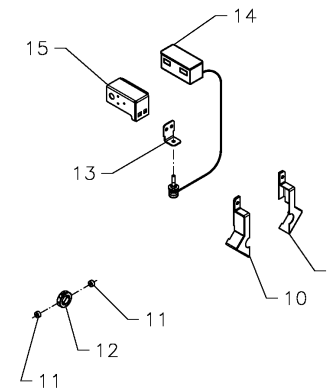
Optional Equipment



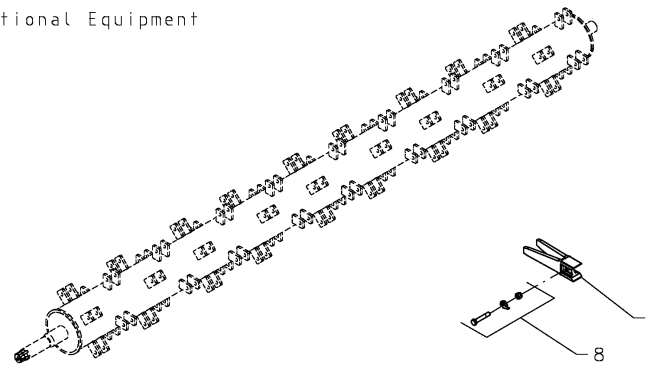
Optional Equipment (1015 rpm)



Optional Equipment



Optional Equipment

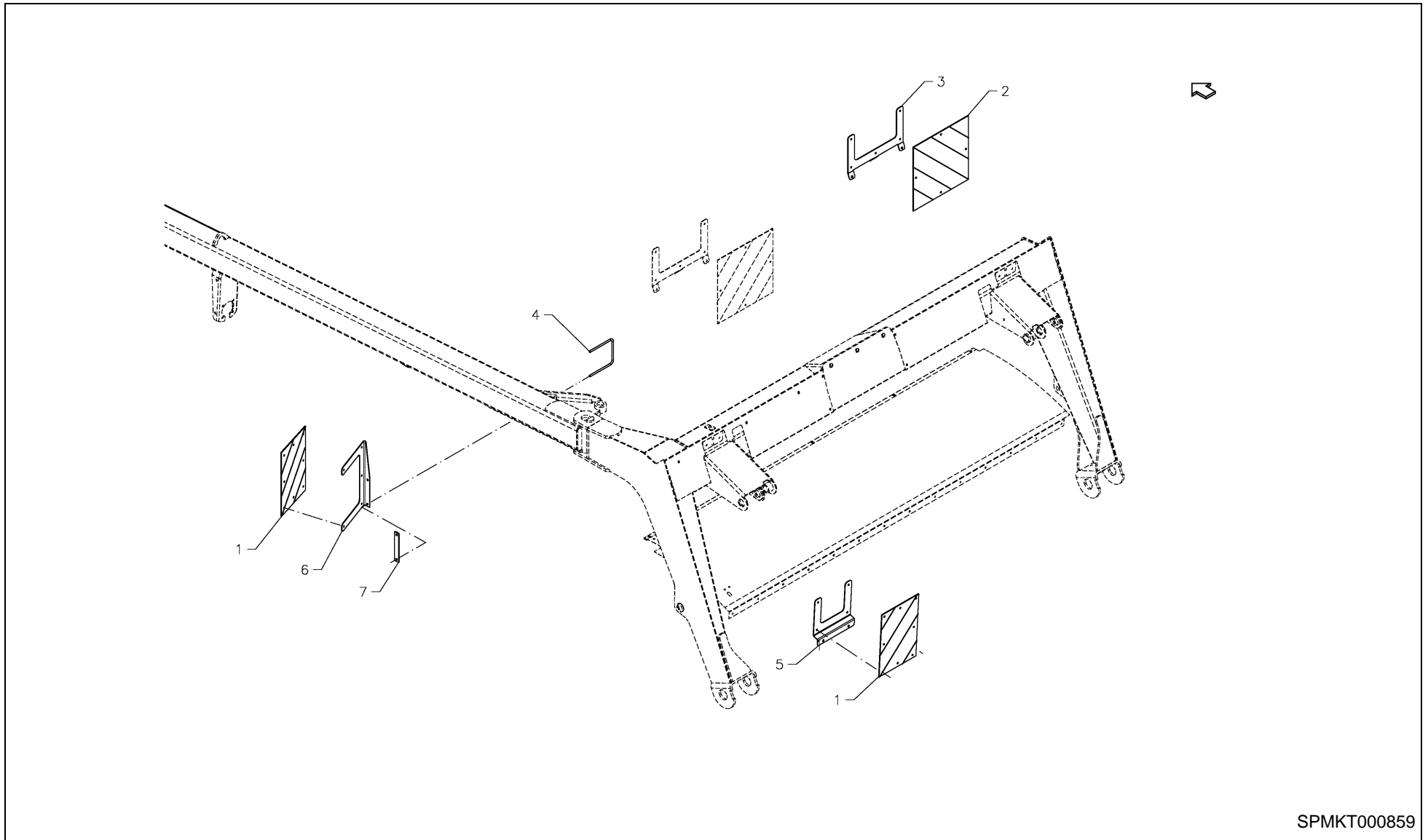


SPMKT000838

4232LT / Optional equipment



PosNo.	Part No.	Qty.	Description	Remark
1	KT6755820061	1	CHAIN	
2	KT42176000	1	LOCK SPLIT	
3	KT99452075	1	SHACKLE 3/4"	
4	KT9089800061	1	BRACKET	
5	KT7028800001	1	V-BELT PULLEY 3 SPB Ø 161MM	
6	KT99202438	1	SET OF V-BELTS LW 1810 (SET = 3 PCS.)	
7	KT90360000	72	PLASTIC FINGER	
8	KT90278000	72	BOLT KIT (SET = 10 PCS.)	
9	KT9155200061	1	COVER FOR HOUR COUNTER, RH	
10	KT9155100061	1	COVER FOR HOUR COUNTER, LH	
11	KT99478087	2	MAGNET	
12	KT91550000	1	RING	
13	KT9155300061	1	BRACKET FOR SPOOL, HOUR COUNTER	
14	KT91641000	1	HOUR COUNTER MODULE, COMPLETE	
15	KT9155400061	1	BRACKET FOR DISPLAY, HOUR COUNTER	



SPMKT000859

4232LT / Optional equipment



PosNo.	Part No.	Qty.	Description	Remark
1	KT99458381	1	RED/WHITE WARNI 423X282 VERT=RH/HORIZ=LH	
2	KT99458380	1	RED/WHITE L/R WARNING FOIL 423X423	
3	KT9116000061	1	CONSOLE	
4	KT9116200061	1	U-BOLT	
5	KT9115500061	1	CONSOLE	
6	KT9115700061	1	CONSOLE	
7	KT9116100061	1	FLAT STEEL	

4232LT / Part No Index



Part No.	Page	Pos No	Part No.	Page	Pos No	Part No.	Page	Pos No	Part No.	Page	Pos No
	20	11		22	18	KG01072361	25	6	KT3626300061	4	14
	20	12		22	19	KG01072461	14	13	KT3817000061	24	6
	20	13		22	3	KG01072461	15	28	KT38218000	10	12
	20	2		22	4	KG01094161	19	11	KT38218000	15	25
	20	3		22	5	KG01108300	8	12	KT38218000	25	10
	20	5		22	6	KG01108800	8	30	KT3877520094	4	19
	20	6		22	7	KG01109300	7	14	KT3877610061	4	18
	20	7		22	8	KG01110400	4	4	KT3877810094	4	12
	20	9		22	9	KG01128700	2	5	KT3917400061	19	17
	21	11	ACCESSOIRE	1	24	KG01130900	13	17	KT42176000	26	2
	21	12	ACCESSOIRE	20	17	KG01251561	10	8	KT45429000	14	26
	21	14	ACCESSOIRE	20	18	KG01267461	14	14	KT45429000	15	6
	21	15	KD0300863	6	28	KG01267461	15	20	KT4543100061	14	24
	21	17	KG00355761	8	15	KG01267461	24	14	KT4543100061	15	27
	21	19	KG00362561	1	17	KG01267461	25	18	KT45432000	25	7
	21	2	KG00363161	1	1	KG01267561	8	27	KT4837700061	8	9
	21	20	KG00473961	13	25	KG01267561	10	6	KT5512200001	13	21
	21	21	KG00474361	25	19	KG01267561	17	12	KT5512300001	13	6
	21	23	KG00476261	13	14	KG01267561	24	22	KT5512400001	13	15
	21	24	KG00476561	8	28	KG01267761	1	11	KT5512500086	14	17
	21	3	KG00476561	9	5	KG01267761	1	19	KT5512500086	15	18
	21	5	KG00476661	4	35	KG01309000	4	28	KT5512600001	13	5
	21	6	KG00641461	24	15	KG01378900	8	13	KT5512820094	14	6
	21	7	KG00644961	19	19	KG01840800	13	18	KT5512820094	15	9
	21	8	KG00981961	24	1	KG01840900	13	35	KT5512900086	13	32
	22	10	KG01052661	3	7	KT10101000	5	48	KT5513300094	14	1
	22	11	KG01064161	8	16	KT10105000	13	36	KT5513400094	14	2
	22	12	KG01064161	24	19	KT1769300061	10	11	KT5513900086	14	18
	22	13	KG01064161	25	17	KT1769300061	17	5	KT5513900086	15	16
	22	14	KG01064261	8	7	KT1769300061	24	10	KT5515000094	15	2
	22	15	KG01064461	1	10	KT26422000	1	9	KT5515000094	25	5
	22	16	KG01064461	1	18	KT2844700061	4	15	KT5515100094	15	1
	22	17	KG01064661	8	23	KT3130700061	3	13	KT5515100094	25	4

4232LT / Part No Index



Part No.	Page	Pos No	Part No.	Page	Pos No	Part No.	Page	Pos No	Part No.	Page	Pos No
KT5515300086	25	21	KT55769000	25	9	KT6865820094	15	17	KT9032500094	4	13
KT5515400001	13	24	KT5577110094	15	11	KT6953600061	8	29	KT9033100094	4	1
KT5516200094	14	5	KT5577110094	25	13	KT69540000	8	21	KT9033200001	4	8
KT5516200094	15	7	KT55772100	15	23	KT69708000	14	16	KT9033300094	4	9
KT5520200086	13	1	KT55772100	25	11	KT69708000	15	22	KT9033400094	4	10
KT5524000086	25	3	KT55777100	25	8	KT6975420094	19	14	KT9033610094	19	10
KT55243000	16	1	KT56149000	14	25	KT6975520094	19	15	KT9033710094	19	8
KT55244000	16	3	KT56149000	15	30	KT6976110094	19	3	KT9033800094	19	6
KT55245000	16	2	KT56227000	7	13	KT6977200094	19	13	KT9033900094	19	7
KT55246100	14	11	KT5627100061	14	20	KT6989900094	24	2	KT9034000094	19	5
KT55246100	15	15	KT5627100061	15	19	KT7028800001	26	5	KT9034100094	19	4
KT5524700086	14	23	KT5627100061	19	12	KT7047400094	24	4	KT9034400094	8	5
KT5524700086	15	8	KT56294000	14	10	KT7047500094	24	3	KT9034510061	8	1
KT5535000086	25	22	KT56781000	14	8	KT7048100061	24	11	KT9034700061	10	5
KT5564110001	13	11	KT56781000	15	12	KT7048210094	24	8	KT9034800061	10	9
KT5564400001	13	7	KT56781000	25	14	KT7048310094	24	9	KT9034910086	8	11
KT5564610001	13	20	KT56782000	14	9	KT7048400094	24	7	KT9035200061	8	17
KT5564900061	13	2	KT56782000	15	13	KT7048500094	24	20	KT9035300061	8	18
KT5565000001	13	4	KT56782000	25	15	KT7048820094	24	13	KT90360000	26	7
KT55651000	13	3	KT5874000061	8	26	KT7049000061	24	5	KT9036100061	2	4
KT5567000001	9	4	KT58824000	8	22	KT7050210094	24	18	KT9036200061	2	14
KT5567000001	13	13	KT5882400061	8	22	KT79459000	7	15	KT9036300061	3	9
KT55693100	25	2	KT59447000	4	37	KT90186000	1	13	KT9037420094	8	33
KT55694100	25	1	KT6056800061	4	11	KT90276000	11	2	KT9038210094	8	4
KT55695100	14	22	KT6244500061	3	11	KT90278000	11	3	KT9039110094	1	23
KT55705300	16	5	KT6245600001	8	14	KT90278000	26	8	KT9040100094	1	16
KT55706100	16	4	KT6755820061	26	1	KT90288000	15	10	KT90402000	1	5
KT55710300	16	6	KT67602000	6	19	KT90288000	25	12	KT9040200061	1	5
KT5572910061	13	26	KT6827100061	10	10	KT9030020086	11	1	KT9040300097	7	1
KT5574900001	13	23	KT6828300001	9	3	KT9030500086	14	4	KT9044400094	19	18
KT5576600001	13	33	KT6828400001	9	2	KT9030500086	15	4	KT9044500094	19	1
KT5576700001	13	34	KT68312000	3	10	KT9030600086	14	3	KT9044610094	19	2
KT55769000	15	24	KT6865820094	14	15	KT9030600086	15	3	KT9046110086	10	3

4232LT / Part No Index



Part No.	Page	Pos No	Part No.	Page	Pos No	Part No.	Page	Pos No	Part No.	Page	Pos No
KT9046210086	10	2	KT9058720094	18	14	KT90830000	17	3	KT91258000	15	26
KT9046300061	10	7	KT9059210094	18	7	KT9083200061	18	13	KT9127600061	8	32
KT9046400061	10	4	KT9059300061	17	4	KT9083300061	18	9	KT9129700061	2	16
KT9046520061	2	1	KT9059410094	18	1	KT9083400061	18	3	KT9143600061	2	19
KT9046610061	3	15	KT9059510094	17	2	KT9083500061	18	5	KT9149800061	7	8
KT9046700061	3	14	KT9059710094	18	2	KT9085300097	8	19	KT9150000061	4	36
KT9046900061	8	24	KT9060610094	17	1	KT90860000	18	10	KT9150100061	4	38
KT9047100094	8	3	KT9062710061	24	17	KT9087800061	2	7	KT9150200061	4	2
KT9047200061	2	12	KT9062800061	24	16	KT9088000061	17	13	KT91503000	7	4
KT9047300061	2	8	KT9062900061	12	48	KT9088100061	4	29	KT91550000	26	12
KT9047900094	2	3	KT9063000061	8	8	KT9089700061	2	20	KT9155100061	26	10
KT9048000094	2	17	KT9063720094	18	11	KT9089800061	26	4	KT9155200061	26	9
KT9048200061	2	9	KT9063800061	24	12	KT9089900061	4	30	KT9155300061	26	13
KT9048300094	2	11	KT90654000	6	9	KT9093700086	1	20	KT9155400061	26	15
KT9048700094	8	2	KT90655000	6	17	KT9093800086	1	21	KT91641000	26	14
KT9049910097	3	4	KT90656000	6	8	KT9093900086	1	22	KT99125012	4	6
KT9050010097	3	3	KT9065800061	6	12	KT9094100061	2	18	KT99158065	3	12
KT9051210061	7	12	KT90667000	6	1	KT9115500061	27	5	KT99158066	4	17
KT9051410061	3	8	KT90677000	7	10	KT9115700061	27	6	KT99158084	14	21
KT9052700094	1	2	KT90686000	6	6	KT9116000061	27	3	KT99158084	15	5
KT9052900094	1	4	KT90688100	6	22	KT9116100061	27	7	KT99158088	2	2
KT9053400094	1	3	KT9072300064	3	2	KT9116200061	27	4	KT99158090	4	3
KT9053510061	8	31	KT9073000064	3	1	KT9117600061	4	33	KT99160045	2	6
KT9053600061	8	10	KT9074600094	4	24	KT9117700061	4	32	KT99160047	2	13
KT9057600061	4	7	KT9074700094	4	25	KT9117810086	8	34	KT99202435	9	1
KT9057700061	2	10	KT9074820094	4	20	KT9118000086	10	1	KT99202438	26	6
KT9057800061	2	15	KT9074900061	4	27	KT9118300061	19	9	KT99244472	20	8
KT90579100	23	3	KT9078900061	8	20	KT9118400061	19	23	KT99244473	20	10
KT90580100	23	2	KT9079000061	8	25	KT9118600094	19	20	KT99244474	21	9
KT90582100	23	10	KT9081010094	8	6	KT9118700094	19	21	KT99244475	20	1
KT9058410061	17	6	KT90826000	18	8	KT9119300094	19	22	KT99244476	20	14
KT9058510061	17	7	KT90827000	18	4	KT9119400061	24	21	KT99244477	20	15
KT9058620094	18	12	KT90828000	18	6	KT9119500094	19	16	KT99244478	21	13

4232LT / Part No Index



Part No.	Page	Pos No	Part No.	Page	Pos No	Part No.	Page	Pos No	Part No.	Page	Pos No
KT99244479	22	2	KT99255114	5	18	KT99255139	12	813	KT99255169	12	822
KT99244480	20	4	KT99255115	5	19	KT99255140	5	826	KT99255170	12	823
KT99244481	21	22	KT99255115	12	36	KT99255140	12	814	KT99255171	12	824
KT99244481	22	1	KT99255116	5	20	KT99255141	5	827	KT99255172	12	834
KT99244485	4	21	KT99255116	12	35	KT99255142	5	828	KT99255173	12	840
KT99244495	21	1	KT99255117	5	21	KT99255142	12	833	KT99255174	12	841
KT99244496	21	10	KT99255118	5	29	KT99255143	5	829	KT99255175	12	842
KT99244497	21	25	KT99255119	5	30	KT99255143	12	832	KT99255229	5	47
KT99244498	4	22	KT99255120	5	32	KT99255144	5	830	KT99302819	13	31
KT99244498	21	4	KT99255120	12	40	KT99255144	12	830	KT99307775	6	4
KT99244499	21	16	KT99255121	5	33	KT99255145	5	831	KT99308824	14	19
KT99244501	21	18	KT99255122	5	34	KT99255147	12	1	KT99308824	15	14
KT99244506	12	47	KT99255122	12	41	KT99255148	12	5	KT99308824	25	16
KT99244511	14	12	KT99255123	5	35	KT99255149	12	6	KT99308826	14	7
KT99244511	15	29	KT99255123	12	31	KT99255150	12	7	KT99308826	15	21
KT99255001	5	49	KT99255124	5	36	KT99255151	12	8	KT99308826	25	20
KT99255003	12	46	KT99255125	5	38	KT99255152	12	9	KT99322670	14	27
KT99255100	5	1	KT99255126	5	39	KT99255153	12	10	KT99322670	15	31
KT99255101	5	2	KT99255127	5	42	KT99255154	12	11	KT99331901	2	21
KT99255102	5	3	KT99255128	5	44	KT99255155	12	20	KT99331901	4	26
KT99255103	5	4	KT99255129	5	46	KT99255156	12	23	KT99331901	17	9
KT99255104	5	5	KT99255129	12	45	KT99255157	12	26	KT99333832	14	28
KT99255105	5	6	KT99255131	5	806	KT99255158	12	27	KT99333832	15	32
KT99255106	5	7	KT99255132	5	807	KT99255159	12	28	KT99333835	4	31
KT99255107	5	11	KT99255133	5	808	KT99255160	12	30	KT99350537	4	5
KT99255107	12	21	KT99255134	5	809	KT99255161	12	37	KT99352040	20	16
KT99255108	5	12	KT99255135	5	810	KT99255162	12	38	KT99352040	21	26
KT99255108	12	22	KT99255136	5	822	KT99255163	12	75	KT99352042	7	6
KT99255109	5	13	KT99255137	5	823	KT99255164	12	76	KT99354122	13	27
KT99255110	5	14	KT99255137	12	810	KT99255165	12	800	KT99402007	6	16
KT99255111	5	15	KT99255138	5	824	KT99255166	12	802	KT99402112	7	3
KT99255112	5	16	KT99255138	12	812	KT99255167	12	803	KT99402113	6	3
KT99255113	5	17	KT99255139	5	825	KT99255168	12	820	KT99402114	6	27

4232LT / Part No Index



Part No.	Page	Pos No	Part No.	Page	Pos No
KT99402119	7	5	KT99434603	1	15
KT99402911	7	9	KT99452075	26	3
KT99402914	6	14	KT99452096	17	11
KT99402921	6	11	KT99457134	13	9
KT99402922	6	25	KT99457135	13	10
KT99402941	6	20	KT99458103	6	18
KT99403015	6	7	KT99458109	13	30
KT99403211	6	10	KT99458179	4	34
KT99403221	7	7	KT99458238	17	8
KT99404018	6	21	KT99458246	4	40
KT99404242	6	2	KT99458247	4	41
KT99407008	7	11	KT99458248	4	39
KT99407410	6	26	KT99458332	23	5
KT99407540	6	15	KT99458380	27	2
KT99408914	6	5	KT99458381	27	1
KT99408930	4	16	KT99462633	13	28
KT99408934	6	23	KT99462718	13	29
KT99408939	4	23	KT99474330	23	11
KT99408943	6	24	KT99474335	23	6
KT99413144	7	2	KT99474336	23	7
KT99413147	3	5	KT99477136	23	12
KT99413148	3	6	KT99477137	23	9
KT99420109	13	19	KT99477138	23	8
KT99420125	13	12	KT99478087	26	11
KT99420238	13	8	KT99478196	23	1
KT99420286	13	22	KT99478389	23	4
KT99421068	13	16	VF06564448	17	10
KT99428522	6	13			
KT99432066	1	8			
KT99432375	1	7			
KT99434056	1	6			
KT99434601	1	12			
KT99434602	1	14			



4232LT

408.403 < Mach. ID <=

Kverneland Group Kerteminde AS
Taarupstrandvej 25
DK-5300 Kerteminde
Denmark
+45 65 19 19 00
+45 65 19 19 99

© Kverneland Group

All rights reserved. No parts of this book may be reproduced, stored in a database or retrieval system, or published in any form or in any way, electronically, mechanically, optically, by print, photo print, microfilm (including micro and macro fiche), or any other means, including all video and CD systems, without prior written permission from the publisher.

Print date: 2009-07-16

